

## VLT® AutomationDrive FC302

The FC 302 is designed for demanding industrial applications in the power range 0,25 to 1200 kW. Thanks to the power of the internal processor, the FC 302 can be used for highly dynamic (servo) applications. As part of the new generation VLT drives, the FC 302 offers the best possible reliability and dependability. Moreover the FC 302 offers the highest possible efficiency and energy savings.



Application	Demanding and dynamic applications
Power range	0,25 - 1200 kW
Torque characteristics	CT 160%
Supply voltage	3 phase 200-240V 3 phase 380-500V 3 phase 525-600V 3 phase 525-690V
Enclosure	IP00, IP20, IP21, IP55 and IP66
Coating	Class 3C2 standard, class 3C3 optional
Control principle	VVCplus with Flux functionality
Length motor cable	150 mtr (screened) 300 mtr (non-screened)
Inputs	Analog 2 / Digital 6
Outputs	Analog 1 / Digital 2 / Relay 2
Special functions	Automatic Motor Adaption (AMA) Smart Logic Controller PID control (auto-tune) Automatic switching between 4 setups Precise Pulse Stop Safe Stop Permanent Magnet Motor
Motor protection	Electronic thermic motor protection based on motor-model and motor-thermistor
Drive protection	Temperature heatsink, short-circuit on motor terminals, phase loss, earth faults and overload
Control	Graphic or numeric display Standard, customised or quick menu Help functions (graphic display)
Communication	USB, Fieldbus (Profibus, DeviceNET and CANOpen), Ethernet IP and RS485
Env. temperature	max. 50 degr. C
Options	24 Vdc backup, extra coating, LC-filter, brake chopper, extra I/O's, integrated service switch
Approval	CE, UL, C-tick

# VLT AutomationDrive

## FC302-PK37 3x380-500V

CT 160%; 0,37 kW / 1,3 A

S2A Standard Version with class 2A RFI-filter

ST Standard version

SB ST + brakechopper

	Article nr.	Price GBP	Article nr.	Price GBP	Article nr.	Price GBP
	S2A		ST		SB	
IP20 encl. display	131B0093	311	131B0026	341	131B0024	366
IP20 encl. display + Profibus	131B0576	410	131B0497	440	131B0585	465
IP20 encl. + Graphic Display	131B0073	379	131B0033	409	131B0043	434
IP20 encl. + Graphic Display + Profibus	131B0647	478	131B0459	508	131B0488	533
IP55 encl. + Graphic Display	131B1954	464	131B1973	494	131B2388	519
IP55 encl. + Graphic Display + Profibus	131B2946	563	131B2947	593	131B2948	618

### Accessories

Brakeresistor	620 ohm / 10% duty cycle	175U1840	45
Brakeresistor	830 ohm / 40% duty cycle	175U1976	72
Flatpack Brakeres.	830 ohm / 20% duty cycle	175U1000	26
LC Filter IP00 (160%)		130B2404	134
LC Filter IP20 (160%)		130B2439	161

For all other accessories and options see the general FC 300 accessories/options page

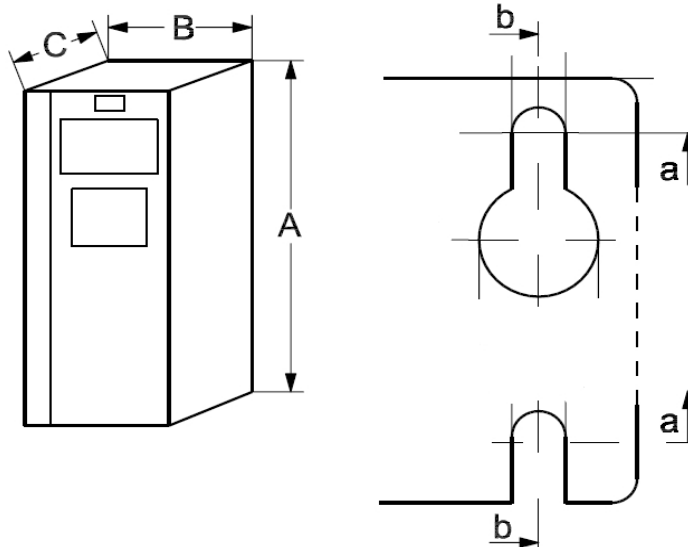
Dimensions		A	B	C	a	b	Weight
IP20 enclosure	(type A2)	268	90	205	257	70	4,7 kg
IP55 enclosure	(type A5)	420	242	195	402	215	13,5 kg

Minimal space under and above drive: 100 mm

### Dimensions excl. options

Max. powerloss (heat dissipation) at full power :

35 Watt



Danfoss VLT Drives

Configure your drive with our Drive Configurator

0870 241 7100

[www.driveconfigurator.com](http://www.driveconfigurator.com)

# VLT AutomationDrive

# FC 302 0,37 kW 3x380-500V

FC302	PKxx	T5	Exx	H	x	x	x	x	x	x	x	SXXXX	Ax	Bx	Cx	Dx	Price GBP
<b>Power (Basic Price)</b>																	
0,37 kW - 1,3 A	PK37																311
<b>Enclosure IP 20</b>			E20														0
IP55			E55														85
IP66			E66														185
IP55 with backplate			P55														95
<b>RFI-filter A2</b>				2													0
A1/B1 RFI-filter				1													30
<b>Brakeresistor - none</b>					X												0
with					B												25
<b>Display - none</b>						X											0
with numeric display						N											30
with graphic display						G											68
<b>Coating - none</b>							X										0
incl. coating							C										73
<b>General Options - none</b>								x									0
service switch								1									103
<b>Communication Options - None</b>													AX				0
Profibus													A0				99
DeviceNet													A4				75
CANOpen													A6				75
Ethernet IP													AN				204
<b>I/O Options - none</b>														BX			0
General I/O														BK			64
Relay option														BP			70
Encoder														BR			138
CL Resolver														BU			159
Safety PLC interface														BZ			54
<b>SyncPos Options - see general FC 300 options</b>															CX		0
<b>D-options - none</b>																DX	0
24Vdc back-up																D0	42

Because of rounding totalprices can differ from the prices on the other side of this page.

Prices valid until: 31/12/2008

# VLT AutomationDrive

## FC302-PK55 3x380-500V

CT 160%; 0,55 kW / 1,8 A

S2A Standard Version with class 2A RFI-filter

ST Standard version

SB ST + brakechopper

	Article nr.	Price GBP	Article nr.	Price GBP	Article nr.	Price GBP
	S2A		ST		SB	
IP20 encl. display	131B0094	323	131B0027	358	131B0016	385
IP20 encl. display + Profibus	131B0577	422	131B0504	457	131B0586	484
IP20 encl. + Graphic Display	131B0074	391	131B0034	426	131B0044	453
IP20 encl. + Graphic Display + Profibus	131B0648	490	131B0460	525	131B0409	552
IP55 encl. + Graphic Display	131B1955	476	131B1974	511	131B2022	538
IP55 encl. + Graphic Display + Profibus	131B2955	575	131B2428	610	131B2958	637

### Accessories

Brakeresistor	620 ohm / 10% duty cycle	175U1840	45
Brakeresistor	830 ohm / 40% duty cycle	175U1976	72
Flatpack Brakeres.	830 ohm / 20% duty cycle	175U1000	26
LC Filter IP00 (160%)		130B2404	134
LC Filter IP20 (160%)		131B2439	161

For all other accessories and options see the general FC 300 accessories/options page

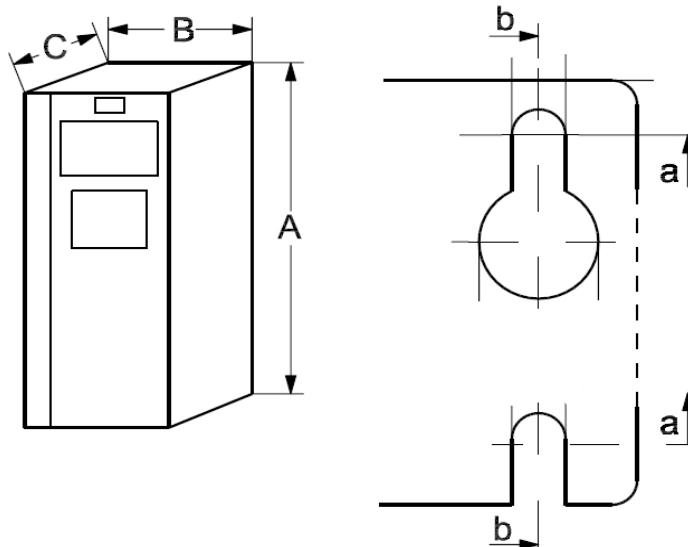
Dimensions		A	B	C	a	b	Weight
IP20 enclosure	(type A2)	268	90	205	257	70	4,7 kg
IP55 enclosure	(type A5)	420	242	195	402	215	13,5 kg

Minimal space under and above drive: 100 mm

### Dimensions excl. options

Max. powerloss (heat dissipation) at full power :

42 Watt



Danfoss VLT Drives

Configure your drive with our Drive Configurator

0870 241 7100

[www.driveconfigurator.com](http://www.driveconfigurator.com)

# VLT AutomationDrive

# FC 302 0,55 kW 3x380-500V

FC302	PKxx	T5	Exx	H	x	x	x	x	x	x	x	SXXXX	Ax	Bx	Cx	Dx	Price GBP
<b>Power (Basic Price)</b>																	
0,55 kW - 1,8 A	PK55																323
<b>Enclosure IP 20</b>			E20														0
IP55			E55														85
IP66			E66														185
IP55 with backplate			P55														95
<b>RFI-filter A2</b>				2													0
A1/B1 RFI-filter				1													35
<b>Brakeresistor - none</b>					X												0
with					B												27
<b>Display - none</b>						X											0
with numeric display						N											30
with graphic display						G											68
<b>Coating - none</b>							X										0
incl. coating							C										73
<b>General Options - none</b>								x									0
service switch								1									103
<b>Communication Options - None</b>													AX				0
Profibus													A0				99
DeviceNet													A4				75
CANOpen													A6				75
Ethernet IP													AN				204
<b>I/O Options - none</b>														BX			0
General I/O														BK			64
Relay option														BP			70
Encoder														BR			138
CL Resolver														BU			159
Safety PLC interface														BZ			54
<b>SyncPos Options - see general FC 300 options</b>															CX		0
<b>D-options - none</b>																DX	0
24Vdc back-up																D0	42

Because of rounding totalprices can differ from the prices on the other side of this page.

Prices valid until: 31/12/2008

# VLT AutomationDrive

## FC302-PK75 3x380-500V

CT 160%; 0,75 kW / 2,4 A

S2A Standard Version with class 2A RFI-filter

ST Standard version

SB ST + brakechopper

	Article nr.	Price GBP	Article nr.	Price GBP	Article nr.	Price GBP
	S2A		ST		SB	
IP20 encl. display	131B0095	354	131B0028	395	131B0014	424
IP20 encl. display + Profibus	131B0578	453	131B0509	494	131B0507	523
IP20 encl. + Graphic Display	131B0075	422	131B0035	463	131B0045	492
IP20 encl. + Graphic Display + Profibus	131B0649	521	131B0461	562	131B0480	591
IP55 encl. + Graphic Display	131B1965	507	131B1975	548	131B2371	577
IP55 encl. + Graphic Display + Profibus	131B2966	606	131B2967	647	131B2968	676

### Accessories

Brakeresistor	620 ohm / 10% duty cycle	175U1840	45
Brakeresistor	620 ohm / 40% duty cycle	175U1940	54
Flatpack Brakeres.	620 ohm / 20% duty cycle	175U1001	26
Flatpack Brakeres.	620 ohm / 40% duty cycle	175U0982	34
LC Filter IP00 (160%)		130B2404	134
LC Filter IP20 (160%)		130B2439	161

For all other accessories and options see the general FC 300 accessories/options page

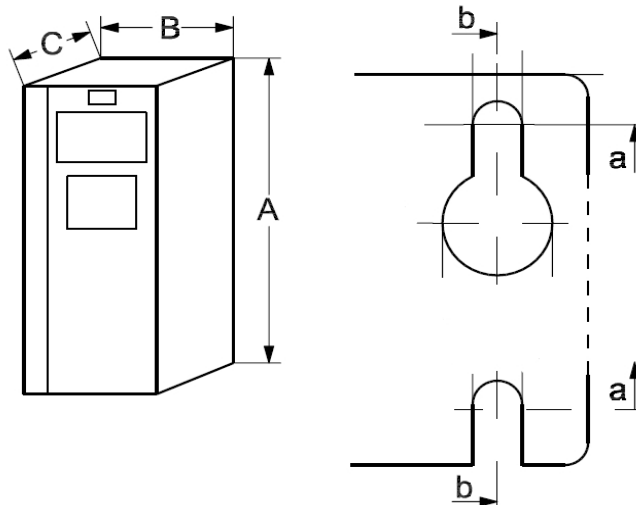
Dimensions		A	B	C	a	b	Weight
IP20 enclosure	(type A2)	268	90	205	257	70	4,8 kg
IP55 enclosure	(type A5)	420	242	195	402	215	13,5 kg

Minimal space under and above drive: 100 mm

### Dimensions excl. options

Max. powerloss (heat dissipation) at full power :

46 Watt



Danfoss VLT Drives

Configure your drive with our Drive Configurator

0870 241 7100

[www.driveconfigurator.com](http://www.driveconfigurator.com)

# VLT AutomationDrive

# FC 302 0,75 kW 3x380-500V

FC302	PKxx	T5	Exx	H	x	x	x	x	x	x	x	SXXXX	Ax	Bx	Cx	Dx	Price GBP
<b>Power (Basic Price)</b>																	
0,75 kW - 2,4 A	PK75																354
<b>Enclosure IP 20</b>			E20														0
IP55			E55														85
IP66			E66														185
IP55 with backplate			P55														95
<b>RFI-filter A2</b>				2													0
A1/B1 RFI-filter				1													41
<b>Brakeresistor - none</b>					X												0
with					B												29
<b>Display - none</b>						X											0
with numeric display						N											30
with graphic display						G											68
<b>Coating - none</b>							X										0
incl. coating							C										73
<b>General Options - none</b>								x									0
service switch								1									103
<b>Communication Options - None</b>													AX				0
Profibus													A0				99
DeviceNet													A4				75
CANOpen													A6				75
Ethernet IP													AN				204
<b>I/O Options - none</b>														BX			0
General I/O														BK			64
Relay option														BP			70
Encoder														BR			138
CL Resolver														BU			159
Safety PLC interface														BZ			54
<b>SyncPos Options - see general FC 300 options</b>															CX		0
<b>D-options - none</b>																DX	0
24Vdc back-up																D0	42

Because of rounding totalprices can differ from the prices on the other side of this page.

Prices valid until: 31/12/2008

# VLT AutomationDrive

## FC302-P1K1 3x380-500V

CT 160%; 1,1 kW / 3 A

S2A Standard Version with class 2A RFI-filter

ST Standard version

SB ST + brakechopper

	Article nr.	Price GBP	Article nr.	Price GBP	Article nr.	Price GBP
	S2A		ST		SB	
IP20 encl. display	131B0096	407	131B0029	455	131B0025	486
IP20 encl. display + Profibus	131B0579	506	131B0514	554	131B0587	585
IP20 encl. + Graphic Display	131B0076	475	131B0036	523	131B0046	554
IP20 encl. + Graphic Display + Profibus	131B0650	574	131B0452	622	131B0481	653
IP55 encl. + Graphic Display	131B1957	560	131B1976	608	131B2389	639
IP55 encl. + Graphic Display + Profibus	131B3100	659	131B3103	707	131B3105	738

### Accessories

Brakeresistor	425 ohm / 10% duty cycle	175U1841	49
Brakeresistor	425 ohm / 40% duty cycle	175U1941	68
Flatpack Brakeres.	430 ohm / 8% duty cycle	175U1002	26
Flatpack Brakeres.	430 ohm / 20% duty cycle	175U0983	34
LC Filter IP00 (160%)		130B2406	154
LC Filter IP20 (160%)		130B2441	185

For all other accessories and options see the general FC 300 accessories/options page

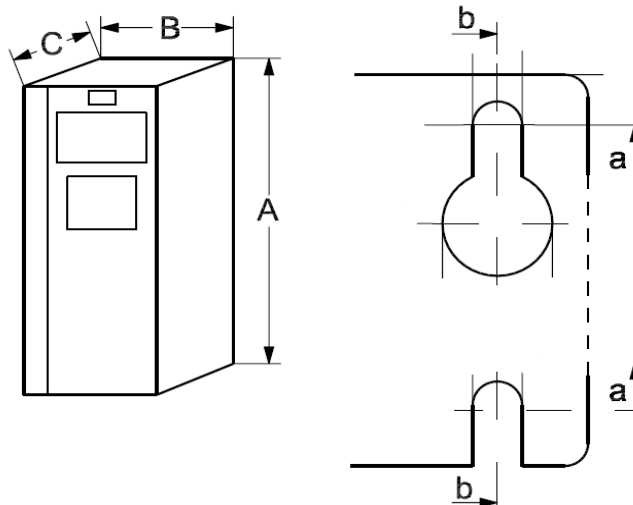
Dimensions		A	B	C	a	b	Weight
IP20 enclosure	(type A2)	268	90	205	257	70	4,8 kg
IP55 enclosure	(type A5)	420	242	195	402	215	13,5 kg

Minimal space under and above drive: 100 mm

### Dimensions excl. options

Max. powerloss (heat dissipation) at full power :

58 Watt



Danfoss VLT Drives

Configure your drive with our Drive Configurator

0870 241 7100

[www.driveconfigurator.com](http://www.driveconfigurator.com)



# VLT AutomationDrive

# FC 302 1,1 kW 3x380-500V

FC302	PKxx	T5	Exx	H	x	x	x	x	x	x	x	SXXXX	Ax	Bx	Cx	Dx	Price GBP
<b>Power (Basic Price)</b>																	
1,1 kW - 3 A	P1K1																407
<b>Enclosure IP 20</b>			E20														0
IP55			E55														85
IP66			E66														185
IP55 with backplate			P55														95
<b>RFI-filter A2</b>				2													0
A1/B1 RFI-filter				1													48
<b>Brakeresistor - none</b>					X												0
with					B												31
<b>Display - none</b>						X											0
with numeric display						N											30
with graphic display						G											68
<b>Coating - none</b>							X										0
incl. coating							C										73
<b>General Options - none</b>								x									0
service switch								1									103
<b>Communication Options - None</b>													AX				0
Profibus													A0				99
DeviceNet													A4				75
CANOpen													A6				75
Ethernet IP													AN				204
<b>I/O Options - none</b>														BX			0
General I/O														BK			64
Relay option														BP			70
Encoder														BR			138
CL Resolver														BU			159
Safety PLC interface														BZ			54
<b>SyncPos Options - see general FC 300 options</b>															CX		0
<b>D-options - none</b>																DX	0
24Vdc back-up																D0	42

Because of rounding totalprices can differ from the prices on the other side of this page.

Prices valid until: 31/12/2008

# VLT AutomationDrive

## FC302-P1K5 3x380-500V

CT 160%; 1,5 kW / 4,1 A

S2A Standard Version with class 2A RFI-filter

ST Standard version

SB ST + brakechopper

	Article nr.	Price GBP	Article nr.	Price GBP	Article nr.	Price GBP
	S2A		ST		SB	
IP20 encl. display	131B0097	474	131B0030	529	131B0015	567
IP20 encl. display + Profibus	131B0580	573	131B0518	628	131B0588	666
IP20 encl. + Graphic Display	131B0077	542	131B0037	597	131B0047	635
IP20 encl. + Graphic Display + Profibus	131B0651	641	131B0453	696	131B0482	734
IP55 encl. + Graphic Display	131B1958	627	131B1977	682	131B1764	720
IP55 encl. + Graphic Display + Profibus	131B3110	726	131B2370	781	131B3115	819

### Accessories

Brakeresistor	310 ohm / 10% duty cycle	175U1842	49
Brakeresistor	310 ohm / 40% duty cycle	175U1942	68
Flatpack Brakeres.	310 ohm / 16% duty cycle	175U0984	26
LC Filter IP00 (160%)		130B2406	154
LC Filter IP20 (160%)		130B2441	185

For all other accessories and options see the general FC 300 accessories/options page

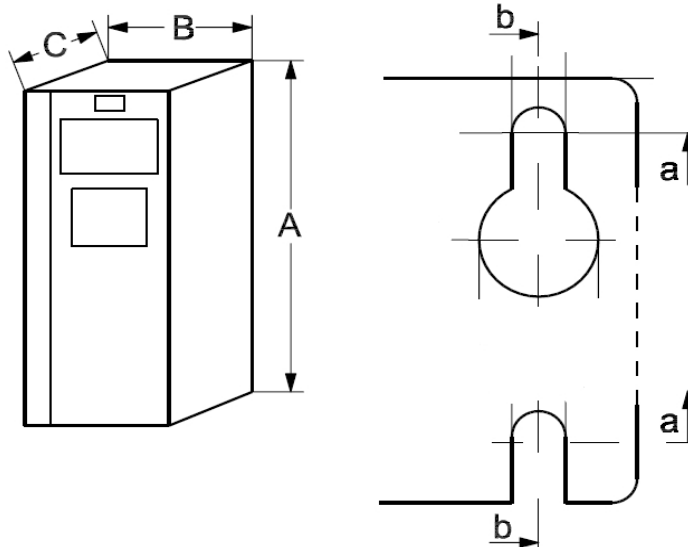
Dimensions		A	B	C	a	b	Weight
IP20 enclosure	(type A2)	268	90	205	257	70	4,9 kg
IP55 enclosure	(type A5)	420	242	195	402	215	13,5 kg

Minimal space under and above drive: 100 mm

### Dimensions excl. options

Max. powerloss (heat dissipation) at full power :

62 Watt



Danfoss VLT Drives

Configure your drive with our Drive Configurator

0870 241 7100

[www.driveconfigurator.com](http://www.driveconfigurator.com)

# VLT AutomationDrive

# FC 302 1,5 kW 3x380-500V

FC302	PKxx	T5	Exx	H	x	x	x	x	x	x	x	SXXXX	Ax	Bx	Cx	Dx	Price GBP
<b>Power (Basic Price)</b>																	
1,5 kW - 4,1 A	P1K5																474
<b>Enclosure IP 20</b>			E20														0
IP55			E55														85
IP66			E66														185
IP55 with backplate			P55														95
<b>RFI-filter A2</b>				2													0
A1/B1 RFI-filter				1													55
<b>Brakeresistor - none</b>					X												0
with					B												38
<b>Display - none</b>						X											0
with numeric display						N											30
with graphic display						G											68
<b>Coating - none</b>							X										0
incl. coating							C										73
<b>General Options - none</b>								x									0
service switch								1									103
<b>Communication Options - None</b>													AX				0
Profibus													A0				99
DeviceNet													A4				75
CANOpen													A6				75
Ethernet IP													AN				204
<b>I/O Options - none</b>														BX			0
General I/O														BK			64
Relay option														BP			70
Encoder														BR			138
CL Resolver														BU			159
Safety PLC interface														BZ			54
<b>SyncPos Options - see general FC 300 options</b>															CX		0
<b>D-options - none</b>																DX	0
24Vdc back-up																D0	42

Because of rounding totalprices can differ from the prices on the other side of this page.

Prices valid until: 31/12/2008

# VLT AutomationDrive

## FC302-P2K2 3x380-500V

CT 160%; 2,2 kW / 5,6 A

S2A Standard Version with class 2A RFI-filter

ST Standard version

SB ST + brakechopper

	Article nr.	Price GBP	Article nr.	Price GBP	Article nr.	Price GBP
	S2A		ST		SB	
IP20 encl. display	131B0098	586	131B0031	654	131B0020	702
IP20 encl. display + Profibus	131B0581	685	131B0521	753	131B0589	801
IP20 encl. + Graphic Display	131B0078	654	131B0038	722	131B0048	770
IP20 encl. + Graphic Display + Profibus	131B0652	753	131B0454	821	131B0483	869
IP55 encl. + Graphic Display	131B1959	740	131B1978	808	131B2390	856
IP55 encl. + Graphic Display + Profibus	131B3123	839	131B2369	907	131B3124	955

### Accessories

Brakeresistor	210 ohm / 10% duty cycle	175U1843	56
Brakeresistor	210 ohm / 40% duty cycle	175U1943	134
Flatpack Brakeres.	210 ohm / 9% duty cycle	175U0987	34
LC Filter IP00 (160%)		130B2408	178
LC Filter IP20 (160%)		130B2443	214

For all other accessories and options see the general FC 300 accessories/options page

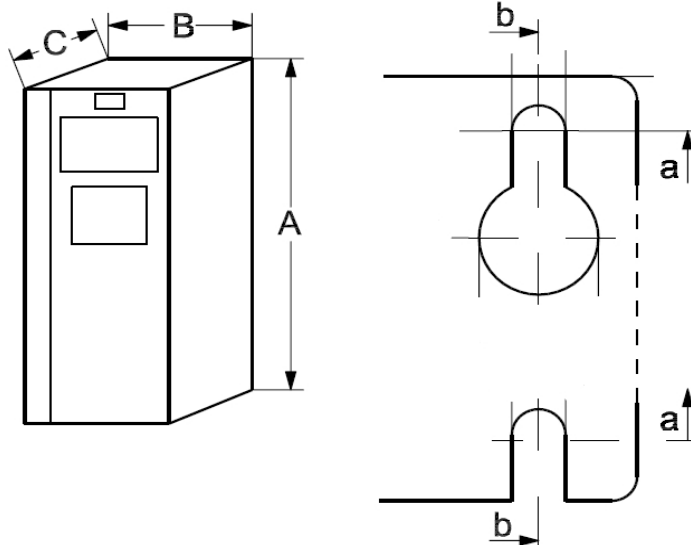
Dimensions		A	B	C	a	b	Weight
IP20 enclosure	(type A2)	268	90	205	257	70	4,9 kg
IP55 enclosure	(type A5)	420	242	195	402	215	13,5 kg

Minimal space under and above drive: 100 mm

### Dimensions excl. options

Max. powerloss (heat dissipation) at full power :

88 Watt



Danfoss VLT Drives

Configure your drive with our Drive Configurator

0870 241 7100

[www.driveconfigurator.com](http://www.driveconfigurator.com)

# VLT AutomationDrive

# FC 302 2,2 kW 3x380-500V

FC302	PKxx	T5	Exx	H	x	x	x	x	x	x	x	x	SXXXX	Ax	Bx	Cx	Dx	Price GBP
<b>Power (Basic Price)</b>																		
2,2 kW - 5,6 A	P2K2																	586
<b>Enclosure IP 20</b>			E20															0
IP55			E55															85
IP66			E66															185
IP55 with backplate			P55															95
<b>RFI-filter A2</b>				2														0
A1/B1 RFI-filter				1														68
<b>Brakeresistor - none</b>					X													0
with					B													48
<b>Display - none</b>						X												0
with numeric display						N												30
with graphic display						G												68
<b>Coating - none</b>							X											0
incl. coating							C											73
<b>General Options - none</b>								x										0
service switch								1										103
<b>Communication Options - None</b>														AX				0
Profibus														A0				99
DeviceNet														A4				75
CANOpen														A6				75
Ethernet IP														AN				204
<b>I/O Options - none</b>															BX			0
General I/O															BK			64
Relay option															BP			70
Encoder															BR			138
CL Resolver															BU			159
Safety PLC interface															BZ			54
<b>SyncPos Options - see general FC 300 options</b>																CX		0
<b>D-options - none</b>																	DX	0
24Vdc back-up																	D0	42

Because of rounding totalprices can differ from the prices on the other side of this page.

Prices valid until: 31/12/2008

## FC302-P3K0 3x380-500V

CT 160%; 3 kW / 7,2 A

S2A Standard Version with class 2A RFI-filter

ST Standard version

SB ST + brakechopper

	Article nr.	Price GBP	Article nr.	Price GBP	Article nr.	Price GBP
	S2A		ST		SB	
IP20 encl. display	131B0099	661	131B0032	738	131B0021	791
IP20 encl. display + Profibus	131B0582	760	131B0525	837	131B0590	890
IP20 encl. + Graphic Display	131B0079	729	131B0039	806	131B0049	859
IP20 encl. + Graphic Display + Profibus	131B0653	828	131B0455	905	131B0484	958
IP55 encl. + Graphic Display	131B1960	814	131B1979	891	131B1767	944
IP55 encl. + Graphic Display + Profibus	131B3130	913	131B3131	990	131B3132	1043

### Accessories

Brakeresistor	150 ohm / 10% duty cycle	175U1844	69	
Brakeresistor	150 ohm / 40% duty cycle	175U1944	170	
Flatpack Brakeres.	150 ohm / 5,5% duty cycle	175U0989	34	
Flatpack Brakeres.	300 ohm / 12% duty cycle	175U0985	34	(2 pcs needed)
LC Filter IP00 (160%)		130B2408	178	
LC Filter IP20 (160%)		130B2443	214	

For all other accessories and options see the general FC 300 accessories/options page

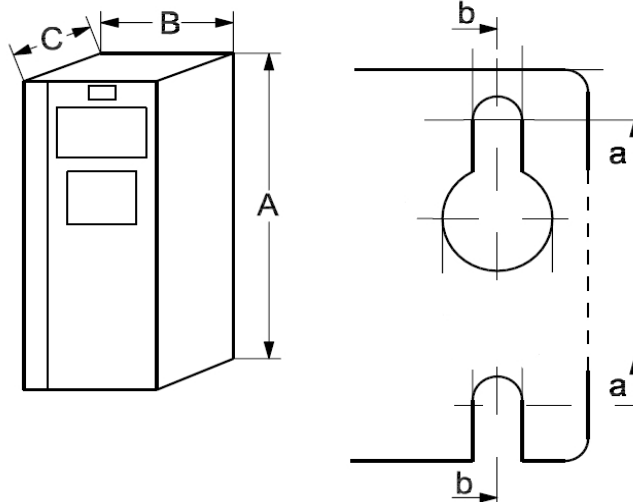
Dimensions		A	B	C	a	b	Weight
IP20 enclosure	(type A2)	268	90	205	257	70	4,9 kg
IP55 enclosure	(type A5)	420	242	195	402	215	13,5 kg

Minimal space under and above drive: 100 mm

### Dimensions excl. options

Max. powerloss (heat dissipation) at full power :

116 Watt



Danfoss VLT Drives

Configure your drive with our Drive Configurator

0870 241 7100

[www.driveconfigurator.com](http://www.driveconfigurator.com)

# VLT AutomationDrive

# FC 302 3 kW 3x380-500V

FC302	PKxx	T5	Exx	H	x	x	x	x	x	x	x	SXXXX	Ax	Bx	Cx	Dx	Price GBP
<b>Power (Basic Price)</b>																	
3 kW - 7,2 A	P3K0																661
<b>Enclosure IP 20</b>			E20														0
IP55			E55														85
IP66			E66														185
IP55 with backplate			P55														95
<b>RFI-filter A2</b>				2													0
A1/B1 RFI-filter				1													77
<b>Brakeresistor - none</b>					X												0
with					B												53
<b>Display - none</b>						X											0
with numeric display						N											30
with graphic display						G											68
<b>Coating - none</b>							X										0
incl. coating							C										73
<b>General Options - none</b>								x									0
service switch								1									103
<b>Communication Options - None</b>													AX				0
Profibus													A0				99
DeviceNet													A4				75
CANOpen													A6				75
Ethernet IP													AN				204
<b>I/O Options - none</b>														BX			0
General I/O														BK			64
Relay option														BP			70
Encoder														BR			138
CL Resolver														BU			159
Safety PLC interface														BZ			54
<b>SyncPos Options - see general FC 300 options</b>															CX		0
<b>D-options - none</b>																DX	0
24Vdc back-up																D0	42

Because of rounding totalprices can differ from the prices on the other side of this page.

Prices valid until: 31/12/2008

## FC302-P4K0 3x380-500V

CT 160%; 4 kW / 10 A

S2A Standard Version with class 2A RFI-filter

ST Standard version

SB ST + brakechopper

	Article nr.	Price GBP	Article nr.	Price GBP	Article nr.	Price GBP
	S2A		ST		SB	
IP20 encl. display	131B0100	709	131B0001	792	131B0006	850
IP20 encl. display + Profibus	131B0583	808	131B0529	891	131B0591	949
IP20 encl. + Graphic Display	131B0080	777	131B0040	860	131B0050	918
IP20 encl. + Graphic Display + Profibus	131B0494	876	131B0456	959	131B0485	1017
IP55 encl. + Graphic Display	131B1545	862	131B1980	945	131B2391	1003
IP55 encl. + Graphic Display + Profibus	131B3138	961	131B3139	1044	131B3140	1102

### Accessories

Brakeresistor	110 ohm / 10% duty cycle	175U1845	74	
Brakeresistor	110 ohm / 40% duty cycle	175U1945	214	
Flatpack Brakeres.	240 ohm / 11% duty cycle	175U0986	34	(2 pcs needed)
LC Filter IP00 (160%)		130B2409	209	
LC Filter IP20 (160%)		130B2444	250	

For all other accessories and options see the general FC 300 accessories/options page

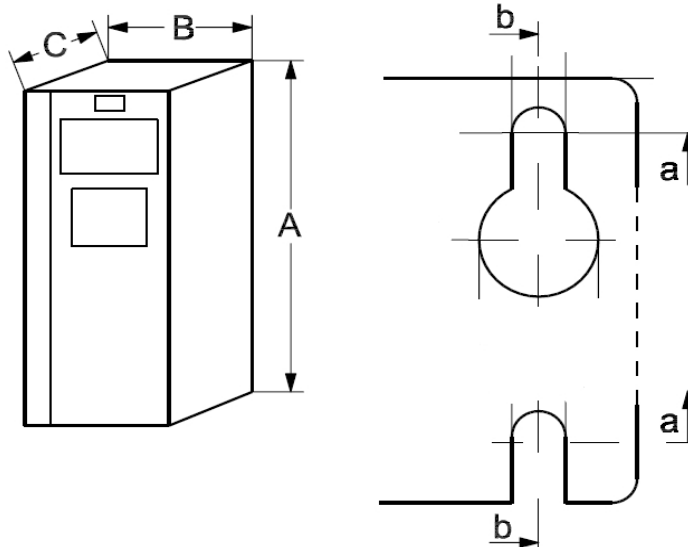
Dimensions		A	B	C	a	b	Weight
IP20 enclosure	(type A2)	268	90	205	257	70	4,9 kg
IP55 enclosure	(type A5)	420	242	195	402	215	13,5 kg

Minimal space under and above drive: 100 mm

### Dimensions excl. options

Max. powerloss (heat dissipation) at full power :

124 Watt





# VLT AutomationDrive

# FC 302 4 kW 3x380-500V

FC302	PKxx	T5	Exx	H	x	x	x	x	x	x	x	x	SXXXX	Ax	Bx	Cx	Dx	Price GBP
<b>Power (Basic Price)</b>																		
4 kW - 10 A	P4K0																	709
<b>Enclosure IP 20</b>			E20															0
IP55			E55															85
IP66			E66															185
IP55 with backplate			P55															95
<b>RFI-filter A2</b>				2														0
A1/B1 RFI-filter				1														83
<b>Brakeresistor - none</b>					X													0
with					B													58
<b>Display - none</b>						X												0
with numeric display						N												30
with graphic display						G												68
<b>Coating - none</b>							X											0
incl. coating							C											73
<b>General Options - none</b>								x										0
service switch								1										103
<b>Communication Options - None</b>														AX				0
Profibus														A0				99
DeviceNet														A4				75
CANOpen														A6				75
Ethernet IP														AN				204
<b>I/O Options - none</b>															BX			0
General I/O															BK			64
Relay option															BP			70
Encoder															BR			138
CL Resolver															BU			159
Safety PLC interface															BZ			54
<b>SyncPos Options - see general FC 300 options</b>																CX		0
<b>D-options - none</b>																	DX	0
24Vdc back-up																	D0	42

Because of rounding totalprices can differ from the prices on the other side of this page.

Prices valid until: 31/12/2008

# VLT AutomationDrive

## FC302-P5K5 3x380-500V

CT 160%; 5,5 kW / 13 A

S2A Standard Version with class 2A RFI-filter

ST Standard version

SB ST + brakechopper

	Article nr.	Price GBP	Article nr.	Price GBP	Article nr.	Price GBP
	S2A		ST		SB	
IP20 encl. display	131B0102	829	131B0002	928	131B0005	997
IP20 encl. display + Profibus	131B0584	928	131B0533	1027	131B0592	1096
IP20 encl. + Graphic Display	131B0081	897	131B0041	996	131B0051	1065
IP20 encl. + Graphic Display + Profibus	131B0654	996	131B0457	1095	131B0486	1164
IP55 encl. + Graphic Display	131B1961	982	131B1546	1081	131B2392	1150
IP55 encl. + Graphic Display + Profibus	131B3148	1081	131B3149	1180	131B3150	1249

### Accessories

Brakeresistor	80 ohm / 10% duty cycle	175U1846	82	
Brakeresistor	80 ohm / 40% duty cycle	175U1946	246	
Flatpack Brakeres.	160 ohm / 6,5% duty cycle	175U0988	34	(2 pcs needed)
LC Filter IP00 (160%)		130B2411	229	
LC Filter IP20 (160%)		130B2446	274	

For all other accessories and options see the general FC 300 accessories/options page

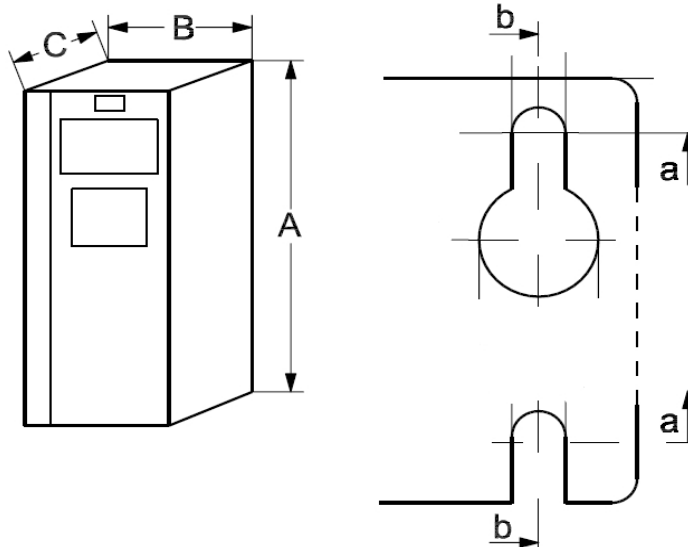
Dimensions		A	B	C	a	b	Weight
IP20 enclosure	(type A3)	268	130	205	257	110	6,6 kg
IP55 enclosure	(type A5)	420	242	195	402	215	14,2 kg

Minimal space under and above drive: 100 mm

### Dimensions excl. options

Max. powerloss (heat dissipation) at full power :

187 Watt



Danfoss VLT Drives

Configure your drive with our Drive Configurator

0870 241 7100

[www.driveconfigurator.com](http://www.driveconfigurator.com)

# VLT AutomationDrive

# FC 302 5,5 kW 3x380-500V

FC302	PKxx	T5	Exx	H	x	x	x	x	x	x	x	x	SXXXX	Ax	Bx	Cx	Dx	Price GBP
<b>Power (Basic Price)</b>																		
5,5 kW - 13 A	P5K5																	829
<b>Enclosure IP 20</b>			E20															0
IP55			E55															85
IP66			E66															185
IP55 with backplate			P55															95
<b>RFI-filter A2</b>				2														0
A1/B1 RFI-filter				1														99
<b>Brakeresistor - none</b>					X													0
with					B													69
<b>Display - none</b>						X												0
with numeric display						N												30
with graphic display						G												68
<b>Coating - none</b>							X											0
incl. coating							C											73
<b>General Options - none</b>								x										0
service switch								1										103
<b>Communication Options - None</b>														AX				0
Profibus														A0				99
DeviceNet														A4				75
CANOpen														A6				75
Ethernet IP														AN				204
<b>I/O Options - none</b>															BX			0
General I/O															BK			64
Relay option															BP			70
Encoder															BR			138
CL Resolver															BU			159
Safety PLC interface															BZ			54
<b>SyncPos Options - see general FC 300 options</b>																CX		0
<b>D-options - none</b>																	DX	0
24Vdc back-up																	D0	42

Because of rounding totalprices can differ from the prices on the other side of this page.

Prices valid until: 31/12/2008

# VLT AutomationDrive

## FC302-P7K5 3x380-500V

CT 160%; 7,5 kW / 16 A

S2A Standard Version with class 2A RFI-filter

ST Standard version

SB ST + brakechopper

	Article nr.	Price GBP	Article nr.	Price GBP	Article nr.	Price GBP
	S2A		ST		SB	
IP20 encl. display	131B0101	940	131B0003	1055	131B0004	1135
IP20 encl. display + Profibus	131B0617	1039	131B0542	1154	131B0593	1234
IP20 encl. + Graphic Display	131B0082	1008	131B0042	1123	131B0052	1203
IP20 encl. + Graphic Display + Profibus	131B0655	1107	131B0458	1222	131B0487	1302
IP55 encl. + Graphic Display	131B1962	1093	131B1547	1208	131B1067	1288
IP55 encl. + Graphic Display + Profibus	131B3158	1192	131B3159	1307	131B3160	1387

### Accessories

Brakeresistor	65 ohm / 10% duty cycle	175U1847	87	
Brakeresistor	65 ohm / 40% duty cycle	175U1947	323	
Flatpack Brakeres.	130 ohm / 4% duty cycle	175U0990	34	(2 pcs needed)
LC Filter IP00 (160%)		130B2411	229	
LC Filter IP20 (160%)		130B2446	274	

For all other accessories and options see the general FC 300 accessories/options page

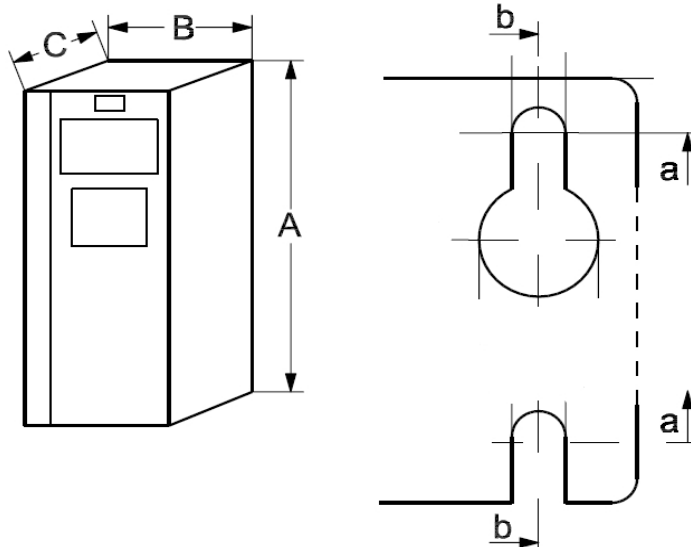
Dimensions		A	B	C	a	b	Weight
IP20 enclosure	(type A3)	268	130	205	257	110	6,6 kg
IP55 enclosure	(type A5)	420	242	195	402	215	14,2 kg

Minimal space under and above drive: 100 mm

### Dimensions excl. options

Max. powerloss (heat dissipation) at full power :

255 Watt



Danfoss VLT Drives

Configure your drive with our Drive Configurator

0870 241 7100

[www.driveconfigurator.com](http://www.driveconfigurator.com)

# VLT AutomationDrive

# FC 302 7,5 kW 3x380-500V

FC302	PKxx	T5	Exx	H	x	x	x	x	x	x	x	x	SXXXX	Ax	Bx	Cx	Dx	Price GBP
<b>Power (Basic Price)</b>																		
7,5 kW - 16 A	P7K5																	940
<b>Enclosure IP 20</b>			E20															0
IP55			E55															85
IP66			E66															185
IP55 with backplate			P55															95
<b>RFI-filter A2</b>				2														0
A1/B1 RFI-filter				1														115
<b>Brakeresistor - none</b>					X													0
with					B													80
<b>Display - none</b>						X												0
with numeric display						N												30
with graphic display						G												68
<b>Coating - none</b>							X											0
incl. coating							C											73
<b>General Options - none</b>								x										0
service switch								1										103
<b>Communication Options - None</b>														AX				0
Profibus														A0				99
DeviceNet														A4				75
CANOpen														A6				75
Ethernet IP														AN				204
<b>I/O Options - none</b>															BX			0
General I/O															BK			64
Relay option															BP			70
Encoder															BR			138
CL Resolver															BU			159
Safety PLC interface															BZ			54
<b>SyncPos Options - see general FC 300 options</b>																CX		0
<b>D-options - none</b>																	DX	0
24Vdc back-up																	D0	42

Because of rounding totalprices can differ from the prices on the other side of this page.

Prices valid until: 31/12/2008

# VLT AutomationDrive

## FC302-P11K 3x380-500V

CT 160%; 11 kW / 24 A

110%; 15 kW / 32 A

S2A Standard Version with class 2A RFI-filter

ST Standard version

SB ST + brakechopper

	Article nr.	Price GBP	Article nr.	Price GBP	Article nr.	Price GBP
	S2A		ST		SB	
IP20 encl. display	131F7145	1399	131F7527	1558	131F7924	1666
IP20 encl. display + Profibus	131F8840	1498	131F8847	1657	131F8848	1765
IP20 encl. + Graphic Display	131F0428	1467	131B9826	1626	131F0158	1734
IP20 encl. + Graphic Display + Profibus	131F8843	1566	131F8844	1725	131F6613	1833
IP55 encl. + Graphic Display	131B1157	1634	131B1168	1793	131B1627	1901
IP55 encl. + Graphic Display + Profibus	131B3199	1733	131B3198	1892	131B3197	2000

### Accessories

Brakeresistor	40 ohm / 10% duty cycle	175U1848	170	
Brakeresistor	40 ohm / 40% duty cycle	175U1948	323	
Flatpack Brakeres.	80 ohm / 9% duty cycle	175U0090	53	(2 pcs needed)
LC Filter IP00 (160%)		130B2412	356	
LC Filter IP20 (160%)		130B2447	427	

For all other accessories and options see the general FC 300 accessories/options page

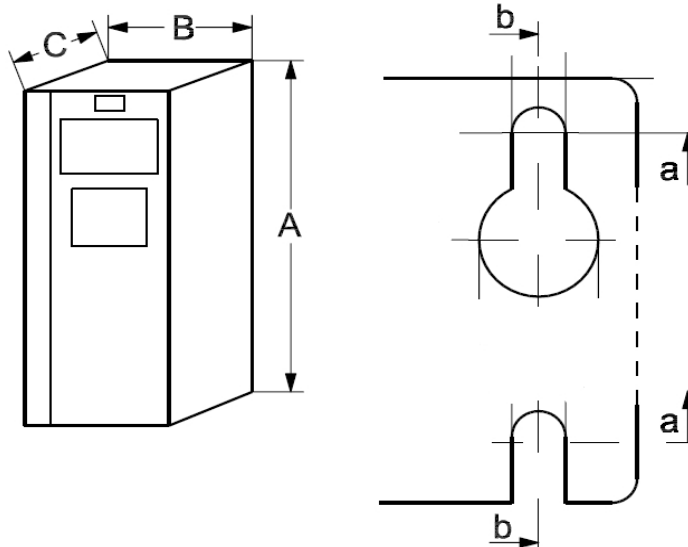
Dimensions		A	B	C	a	b	Weight
IP20 enclosure	(type B3)	399	165	249	380	140	12 kg
IP55 enclosure	(type B1)	480	242	260	454	210	23 kg

Minimal space under and above drive B1 100 mm and B3 200 mm

### Dimensions excl. options

Max. powerloss (heat dissipation) at full power (based on 160%) :

291 Watt



Danfoss VLT Drives

Configure your drive with our Drive Configurator

0870 241 7100

[www.driveconfigurator.com](http://www.driveconfigurator.com)

# VLT AutomationDrive

# FC 302 11 kW 3x380-500V

FC302	PKxx	T5	Exx	H	x	x	x	x	x	x	x	x	SXXXX	Ax	Bx	Cx	Dx	Price GBP
<b>Power (Basic Price)</b>																		
11 kW - 24 A	P11K																	1399
<b>Enclosure IP 20</b>			E20															0
IP21			E21															112
IP55			E55															168
IP66			E66															279
IP21 met backplate			P21															123
IP55 with backplate			P55															181
<b>RFI-filter A2</b>				2														0
A1/B1 RFI-filter				1														159
<b>Brakeresistor - none</b>					X													0
with					B													108
<b>Display - none</b>						X												0
with numeric display						N												30
with graphic display						G												68
<b>Coating - none</b>							X											0
incl. coating							C											73
<b>General Options - none</b>								X										0
service switch								1										169
Service switch + Loadsharing								8										248
Loadsharing								D										79
<b>Communication Options - None</b>													AX					0
Profibus													A0					99
DeviceNet													A4					75
CANOpen													A6					75
Ethernet IP													AN					204
<b>I/O Options - none</b>														BX				0
General I/O														BK				64
Relay option														BP				70
Encoder														BR				138
CL Resolver														BU				159
Safety PLC interface														BZ				54
<b>SyncPos Options - see general FC 300 options</b>															CX			0
<b>D-options - none</b>																DX		0
24Vdc back-up																D0		42

Because of rounding totalprices can differ from the prices on the other side of this page.

Prices valid until: 31/12/2008

# VLT AutomationDrive

## FC302-P15K 3x380-500V

CT 160%; 15 kW / 32 A

110%; 18,5 kW / 37,5 A

S2A Standard Version with class 2A RFI-filter

ST Standard version

SB ST + brakechopper

	Article nr.	Price GBP	Article nr.	Price GBP	Article nr.	Price GBP
	S2A		ST		SB	
IP20 encl. display	131B9726	1766	131F8654	1953	131F8655	2090
IP20 encl. display + Profibus	131F8883	1865	131F8890	2052	131F8891	2189
IP20 encl. + Graphic Display	131F0429	1834	131F0430	2021	131F6612	2158
IP20 encl. + Graphic Display + Profibus	131F8886	1933	131F8887	2120	131F5235	2257
IP55 encl. + Graphic Display	131B1165	2046	131B1167	2233	131B1177	2370
IP55 encl. + Graphic Display + Profibus	131B3213	2145	131B3212	2332	131B3211	2469

### Accessories

Brakeresistor	30 ohm / 10% duty cycle	175U1849	238		
Brakeresistor	30 ohm / 40% duty cycle	175U1949	407		
Flatpack Brakeres.	72 ohm / 6% duty cycle	175U0091	53	(2 pcs needed)	
LC Filter IP00 (160%)		130B2413	467		
LC Filter IP20 (160%)		130B2448	596		

For all other accessories and options see the general FC 300 accessories/options page

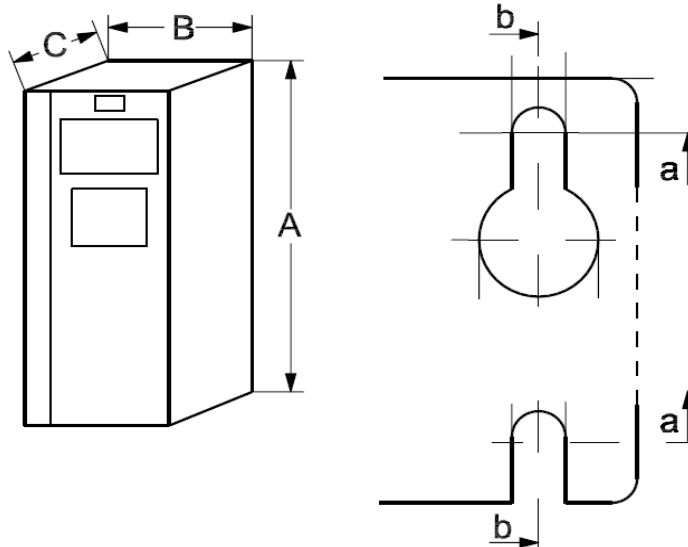
Dimensions		A	B	C	a	b	Weight
IP20 enclosure	(type B3)	399	165	249	380	140	12 kg
IP55 enclosure	(type B1)	480	242	260	454	210	23 kg

Minimal space under and above drive B1 100 mm and B3 200 mm

### Dimensions excl. options

Max. powerloss (heat dissipation) at full power (based on 160%) :

379 Watt



Danfoss VLT Drives

Configure your drive with our Drive Configurator

0870 241 7100

[www.driveconfigurator.com](http://www.driveconfigurator.com)



# VLT AutomationDrive

# FC 302 15 kW 3x380-500V

FC302	PKxx	T5	Exx	H	x	x	x	x	x	x	x	SXXXX	Ax	Bx	Cx	Dx	Price GBP
<b>Power (Basic Price)</b>																	
15 kW - 32 A	P15K																1766
<b>Enclosure IP 20</b>			E20														0
IP21			E21														141
IP55			E55														212
IP66			E66														353
IP21 met backplate			P21														152
IP55 with backplate			P55														225
<b>RFI-filter A2</b>				2													0
A1/B1 RFI-filter				1													187
<b>Brakeresistor - none</b>					X												0
with					B												137
<b>Display - none</b>						X											0
with numeric display						N											30
with graphic display						G											68
<b>Coating - none</b>							X										0
incl. coating							C										73
<b>General Options - none</b>								X									0
service switch									1								169
Service switch + Loadsharing										8							252
Loadsharing											D						83
<b>Communication Options - None</b>													AX				0
Profibus													A0				99
DeviceNet													A4				75
CANOpen													A6				75
Ethernet IP													AN				204
<b>I/O Options - none</b>														BX			0
General I/O														BK			64
Relay option														BP			70
Encoder														BR			138
CL Resolver														BU			159
Safety PLC interface														BZ			54
<b>SyncPos Options - see general FC 300 options</b>															CX		0
<b>D-options - none</b>																DX	0
24Vdc back-up																D0	42

Because of rounding totalprices can differ from the prices on the other side of this page.

Prices valid until: 31/12/2008

## FC302-P18K 3x380-500V

CT 160%; 18,5 kW / 37,5 A

S2A Standard Version with class 2A RFI-filter

110%; 22 kW / 44 A

ST Standard version

SB ST + brakechopper

	Article nr.	Price GBP	Article nr.	Price GBP	Article nr.	Price GBP
	S2A		ST		SB	
IP20 encl. display	131F7146	2086	131H3937	2298	131H3946	2454
IP20 encl. display + Profibus	131H3940	2185	131H3945	2397	131H3947	2553
IP20 encl. + Graphic Display	131F0432	2154	131F0431	2366	131F6618	2522
IP20 encl. + Graphic Display + Profibus	131H3942	2253	131H1597	2465	131F6619	2621
IP55 encl. + Graphic Display	131B1859	2405	131B1854	2617	131B1524	2773
IP55 encl. + Graphic Display + Profibus	131B7519	2504	131B4616	2716	131B4613	2872

### Accessories

Brakeresistor	25 ohm / 10% duty cycle	175U1850	259
Brakeresistor	25 ohm / 40% duty cycle	175U1950	502
LC Filter IP00 (160%)		130B2413	467
LC Filter IP20 (160%)		130B2448	596

For all other accessories and options see the general FC 300 accessories/options page

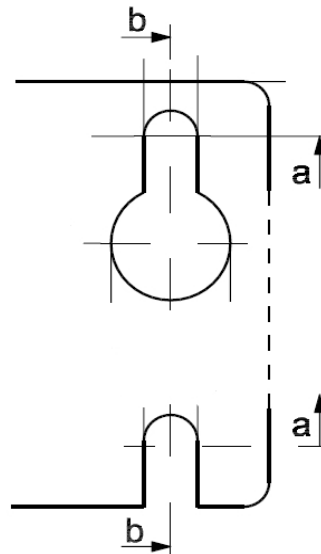
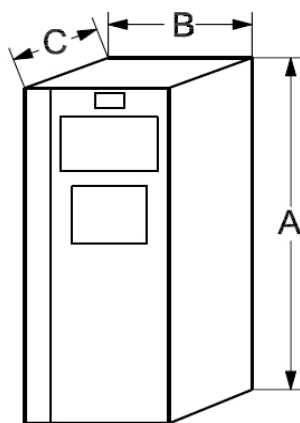
Dimensions		A	B	C	a	b	Weight
IP20 enclosure	(type B4)	520	230	242	495	200	23,5 kg
IP55 enclosure	(type B2)	650	242	260	624	210	27 kg

Minimal space under and above drive B2 100 mm and B4 200 mm

### Dimensions excl. options

Max. powerloss (heat dissipation) at full power (based on 160%) :

444 Watt



# VLT AutomationDrive

# FC 302 18,5 kW 3x380-500V

FC302	PKxx	T5	Exx	H	x	x	x	x	x	x	x	SXXXX	Ax	Bx	Cx	Dx	Price GBP
<b>Power (Basic Price)</b>																	
18,5 kW - 37,5 A	P18K																2086
<b>Enclosure IP 20</b>			E20														0
IP21			E21														167
IP55			E55														250
IP66			E66														417
IP21 met backplate			P21														178
IP55 with backplate			P55														263
<b>RFI-filter A2</b>				2													0
A1/B1 RFI-filter				1													212
<b>Brakeresistor - none</b>					X												0
with					B												156
<b>Display - none</b>						X											0
with numeric display						N											30
with graphic display						G											68
<b>Coating - none</b>							X										0
incl. coating							C										73
<b>General Options - none</b>								X									0
service switch								1									169
Service switch + Loadsharing								8									267
Loadsharing								D									98
<b>Communication Options - None</b>													AX				0
Profibus													A0				99
DeviceNet													A4				75
CANOpen													A6				75
Ethernet IP													AN				204
<b>I/O Options - none</b>														BX			0
General I/O														BK			64
Relay option														BP			70
Encoder														BR			138
CL Resolver														BU			159
Safety PLC interface														BZ			54
<b>SyncPos Options - see general FC 300 options</b>															CX		0
<b>D-options - none</b>																DX	0
24Vdc back-up																D0	42

Because of rounding totalprices can differ from the prices on the other side of this page.

Prices valid until: 31/12/2008

## FC302-P22K 3x380-500V

CT 160%; 22 kW / 44 A

110%; 30 kW / 61 A

S2A Standard Version with class 2A RFI-filter

ST Standard version

SB ST + brakechopper

	Article nr.	Price GBP	Article nr.	Price GBP	Article nr.	Price GBP
	S2A		ST		SB	
IP20 encl. display	131F7147	2432	131H1429	2676	131H3956	2852
IP20 encl. display + Profibus	131H3950	2531	131H3954	2775	131H3957	2951
IP20 encl. + Graphic Display	131F0433	2500	131B5946	2744	131F6617	2920
IP20 encl. + Graphic Display + Profibus	131H3952	2599	131H1592	2843	131H3955	3019
IP55 encl. + Graphic Display	131B1879	2792	131B1874	3036	131B1523	3212
IP55 encl. + Graphic Display + Profibus	131B7441	2891	131B4611	3135	131B4608	3311

### Accessories

Brakeresistor	20 ohm / 10% duty cycle	175U1851	259
Brakeresistor	20 ohm / 40% duty cycle	175U1951	518
LC Filter IP00 (160%)		130B2281	706
LC Filter IP20 (160%)		130B2307	1045

For all other accessories and options see the general FC 300 accessories/options page

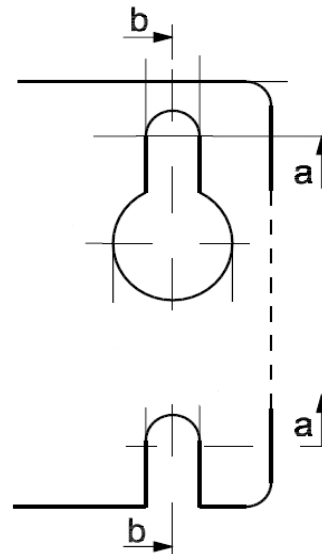
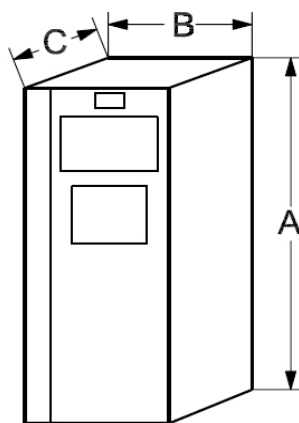
Dimensions		A	B	C	a	b	Weight
IP20 enclosure	(type B4)	520	230	242	495	200	23,5 kg
IP55 enclosure	(type B2)	650	242	260	624	210	27 kg

Minimal space under and above drive B2 100 mm and B4 200 mm

### Dimensions excl. options

Max. powerloss (heat dissipation) at full power (based on 160%) :

547 Watt



# VLT AutomationDrive

# FC 302 22 kW 3x380-500V

FC302	PKxx	T5	Exx	H	x	x	x	x	x	x	x	SXXXX	Ax	Bx	Cx	Dx	Price GBP
<b>Power (Basic Price)</b>																	
22 kW - 44 A	P22K																2432
<b>Enclosure IP 20</b>			E20														0
IP21			E21														195
IP55			E55														292
IP66			E66														486
IP21 met backplate			P21														206
IP55 with backplate			P55														305
<b>RFI-filter A2</b>				2													0
A1/B1 RFI-filter				1													244
<b>Brakeresistor - none</b>					X												0
with					B												176
<b>Display - none</b>						X											0
with numeric display						N											30
with graphic display						G											68
<b>Coating - none</b>							X										0
incl. coating							C										73
<b>General Options - none</b>								X									0
service switch								1									169
Service switch + Loadsharing								8									274
Loadsharing								D									105
<b>Communication Options - None</b>													AX				0
Profibus													A0				99
DeviceNet													A4				75
CANOpen													A6				75
Ethernet IP													AN				204
<b>I/O Options - none</b>														BX			0
General I/O														BK			64
Relay option														BP			70
Encoder														BR			138
CL Resolver														BU			159
Safety PLC interface														BZ			54
<b>SyncPos Options - see general FC 300 options</b>															CX		0
<b>D-options - none</b>																DX	0
24Vdc back-up																D0	42

Because of rounding totalprices can differ from the prices on the other side of this page.

Prices valid until: 31/12/2008

# VLT AutomationDrive

## FC302-P30K 3x380-500V

CT 160%; 30 kW / 61 A

110%; 37 kW / 73 A

S2A Standard Version with class 2A RFI-filter

ST Standard version

SB ST + brakechopper

	Article nr.	Price GBP	Article nr.	Price GBP	Article nr.	Price GBP
	S2A		ST		SB	
IP20 encl. display	131F7148	2962	131H3960	3212	131H3964	3434
IP20 encl. display + Profibus	131H3958	3061	131H3962	3311	131H3965	3533
IP20 encl. + Graphic Display	131F0435	3030	131F0434	3280	131F6616	3502
IP20 encl. + Graphic Display + Profibus	131H3959	3129	131H1600	3379	131H3963	3601
IP55 encl. + Graphic Display	131B5904	3326	131B4575	3576	131B3265	3798
IP55 encl. + Graphic Display + Profibus	131B7456	3425	131B5533	3675	131B7126	3897

### Accessories

Brakeresistor	15 ohm / 10% duty cycle	175U1852	281
Brakeresistor	15 ohm / 40% duty cycle	175U1952	545
LC Filter IP00 (160%)		130B2282	875
LC Filter IP20 (160%)		130B2308	1236

For all other accessories and options see the general FC 300 accessories/options page

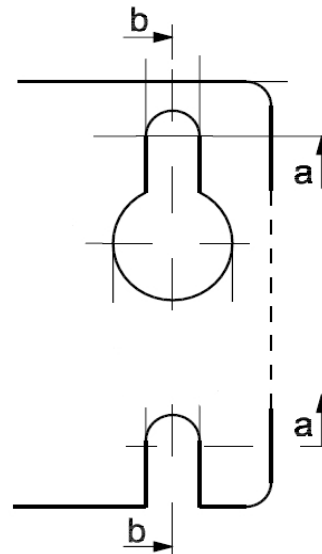
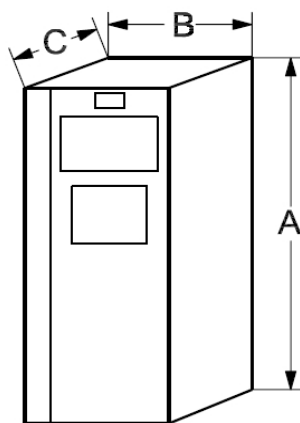
Dimensions		A	B	C	a	b	Weight
IP20 enclosure	(type B4)	520	230	242	495	200	23,5 kg
IP55 enclosure	(type C1)	680	308	310	648	272	45 kg

Minimal space under and above drive: 200 mm

### Dimensions excl. options

Max. powerloss (heat dissipation) at full power (based on 160%) :

570 Watt



Danfoss VLT Drives

Configure your drive with our Drive Configurator

0870 241 7100

[www.driveconfigurator.com](http://www.driveconfigurator.com)

# VLT AutomationDrive

# FC 302 30 kW 3x380-500V

FC302	PKxx	T5	Exx	H	x	x	x	x	x	x	x	SXXXX	Ax	Bx	Cx	Dx	Price GBP
<b>Power (Basic Price)</b>																	
30 kW - 61 A	P30K																2962
<b>Enclosure IP 20</b>			E20														0
IP21			E21														237
IP55			E55														296
IP66			E66														533
IP21 met backplate			P21														250
IP55 with backplate			P55														313
<b>RFI-filter A2</b>				2													0
A1/B1 RFI-filter				1													250
<b>Brakeresistor - none</b>					X												0
with					B												222
<b>Display - none</b>						X											0
with numeric display						N											30
with graphic display						G											68
<b>Coating - none</b>							X										0
incl. coating							C										73
<b>General Options - none</b>								X									0
service switch								1									249
Service switch + Loadsharing								8									369
Loadsharing								D									120
<b>Communication Options - None</b>													AX				0
Profibus													A0				99
DeviceNet													A4				75
CANOpen													A6				75
Ethernet IP													AN				204
<b>I/O Options - none</b>														BX			0
General I/O														BK			64
Relay option														BP			70
Encoder														BR			138
CL Resolver														BU			159
Safety PLC interface														BZ			54
<b>SyncPos Options - see general FC 300 options</b>															CX		0
<b>D-options - none</b>																DX	0
24Vdc back-up																D0	42

Because of rounding totalprices can differ from the prices on the other side of this page.

Prices valid until: 31/12/2008

# VLT AutomationDrive

## FC302-P37K 3x380-500V

CT 160%; 37 kW / 73 A

110%; 45 kW / 90 A

S2A Standard Version with class 2A RFI-filter

ST Standard version

SB ST + brakechopper

	Article nr.	Price GBP	Article nr.	Price GBP	Article nr.	Price GBP
	S2A		ST		SB	
IP20 encl. display	131F7149	3641	131H5476	3939	131H5561	4212
IP20 encl. display + Profibus	131H5559	3740	131H5236	4038	131H5562	4311
IP20 encl. + Graphic Display	131F0436	3709	131F0437	4007	131F0177	4280
IP20 encl. + Graphic Display + Profibus	131H5560	3808	131H1599	4106	131F6620	4379
IP55 encl. + Graphic Display	131B5911	4073	131B4577	4371	131B4592	4644
IP55 encl. + Graphic Display + Profibus	131B7472	4172	131B5534	4470	131B7130	4743

### Accessories

Brakeresistor	12 ohm / 10% duty cycle	175U1853	323
Brakeresistor	12 ohm / 40% duty cycle	175U1953	720
LC Filter IP00 (160%)		130B2283	1070
LC Filter IP20 (160%)		130B2309	1425

For all other accessories and options see the general FC 300 accessories/options page

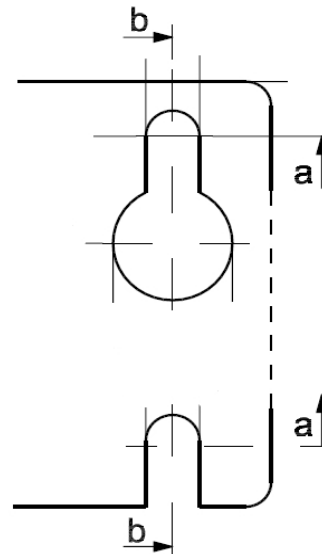
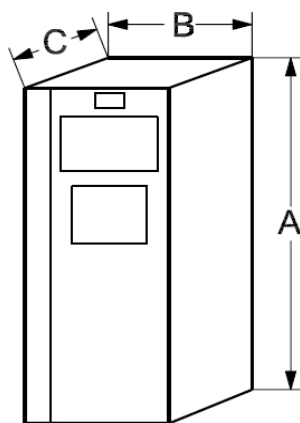
Dimensions		A	B	C	a	b	Weight
IP20 enclosure	(type C3)	550	308	333	521	270	35 kg
IP55 enclosure	(type C1)	680	308	310	648	272	45 kg

Minimal space under and above drive: 200 mm

### Dimensions excl. options

Max. powerloss (heat dissipation) at full power (based on 160%) :

697 Watt



Danfoss VLT Drives

Configure your drive with our Drive Configurator

0870 241 7100

[www.driveconfigurator.com](http://www.driveconfigurator.com)



# VLT AutomationDrive

# FC 302 37 kW 3x380-500V

FC302	PKxx	T5	Exx	H	x	x	x	x	x	x	x	x	SXXXX	Ax	Bx	Cx	Dx	Price GBP
<b>Power (Basic Price)</b>	↑		↑		↑	↑	↑	↑	↑	↑	↑	↑		↑	↑	↑	↑	
37 kW - 73 A	P37K																	3641
<b>Enclosure IP 20</b>			E20															0
IP21			E21															291
IP55			E55															364
IP66			E66															655
IP21 met backplate			P21															305
IP55 with backplate			P55															381
<b>RFI-filter A2</b>				2														0
A1/B1 RFI-filter				1														298
<b>Brakeresistor - none</b>					X													0
with					B													273
<b>Display - none</b>						X												0
with numeric display						N												30
with graphic display						G												68
<b>Coating - none</b>							X											0
incl. coating							C											73
<b>General Options - none</b>								X										0
service switch								1										249
Service switch + Loadsharing								8										374
Loadsharing								D										125
<b>Communication Options - None</b>														AX				0
Profibus														A0				99
DeviceNet														A4				75
CANOpen														A6				75
Ethernet IP														AN				204
<b>I/O Options - none</b>															BX			0
General I/O															BK			64
Relay option															BP			70
Encoder															BR			138
CL Resolver															BU			159
Safety PLC interface															BZ			54
<b>SyncPos Options - see general FC 300 options</b>																CX		0
<b>D-options - none</b>																	DX	0
24Vdc back-up																	D0	42

Because of rounding totalprices can differ from the prices on the other side of this page.

Prices valid until: 31/12/2008

# VLT AutomationDrive

## FC302-P45K 3x380-500V

CT 160%; 45 kW / 90 A

110%; 55 kW / 106 A

S2A Standard Version with class 2A RFI-filter

ST Standard version

SB ST + brakechopper

	Article nr.	Price GBP	Article nr.	Price GBP	Article nr.	Price GBP
	S2A		ST		SB	
IP20 encl. display	131F7150	4368	131H5566	4771	131H5569	5098
IP20 encl. display + Profibus	131H5564	4467	131H5567	4870	131H5570	5197
IP20 encl. + Graphic Display	131F0439	4436	131F0438	4839	131F6615	5166
IP20 encl. + Graphic Display + Profibus	131H5565	4535	131H1845	4938	131H5571	5265
IP55 encl. + Graphic Display	131B5914	4872	131B4579	5275	131B3266	5602
IP55 encl. + Graphic Display + Profibus	131B7487	4971	131B7135	5374	131B7136	5701

### Accessories

Brakeresistor	9,8 ohm / 10% duty cycle	175U2008	555
Brakeresistor	9,8 ohm / 40% duty cycle	175U2007	1510
LC Filter IP00 (160%)		130B2284	1454
LC Filter IP20 (160%)		130B2310	1938

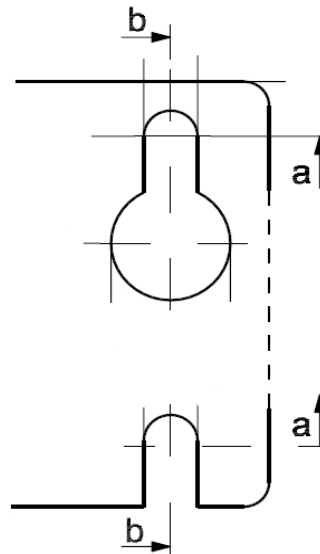
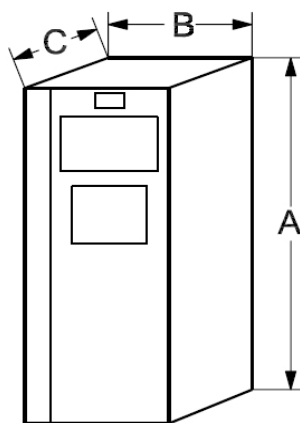
For all other accessories and options see the general FC 300 accessories/options page

Dimensions		A	B	C	a	b	Weight
IP20 enclosure	(type C3)	550	308	333	521	270	35 kg
IP55 enclosure	(type C1)	680	308	310	648	272	45 kg

Minimal space under and above drive: 200 mm

### Dimensions excl. options

Max. powerloss (heat dissipation) at full power (based on 160%) : 891 Watt



Danfoss VLT Drives

Configure your drive with our Drive Configurator

0870 241 7100

[www.driveconfigurator.com](http://www.driveconfigurator.com)

# VLT AutomationDrive

# FC 302 45 kW 3x380-500V

FC302	PKxx	T5	Exx	H	x	x	x	x	x	x	x	x	SXXXX	Ax	Bx	Cx	Dx	Price GBP
<b>Power (Basic Price)</b>																		
45 kW - 90 A	P45K																	4368
<b>Enclosure IP 20</b>			E20															0
IP21			E21															350
IP55			E55															436
IP66			E66															786
IP21 met backplate			P21															364
IP55 with backplate			P55															453
<b>RFI-filter A2</b>				2														0
A1/B1 RFI-filter				1														403
<b>Brakeresistor - none</b>					X													0
with					B													327
<b>Display - none</b>						X												0
with numeric display						N												30
with graphic display						G												68
<b>Coating - none</b>							X											0
incl. coating							C											73
<b>General Options - none</b>								X										0
service switch								1										249
Service switch + Loadsharing								8										395
Loadsharing								D										146
<b>Communication Options - None</b>													AX					0
Profibus													A0					99
DeviceNet													A4					75
CANOpen													A6					75
Ethernet IP													AN					204
<b>I/O Options - none</b>														BX				0
General I/O														BK				64
Relay option														BP				70
Encoder														BR				138
CL Resolver														BU				159
Safety PLC interface														BZ				54
<b>SyncPos Options - see general FC 300 options</b>															CX			0
<b>D-options - none</b>																	DX	0
24Vdc back-up																	D0	42

Because of rounding totalprices can differ from the prices on the other side of this page.

Prices valid until: 31/12/2008

# VLT AutomationDrive

## FC302-P55K 3x380-500V

CT 160%; 55 kW / 106 A

S2A Standard Version with class 2A RFI-filter

ST Standard version

SB ST + brakechopper

110%; 75 kW / 147 A

	Article nr.	Price GBP	Article nr.	Price GBP	Article nr.	Price GBP
	S2A		ST		SB	
IP20 encl. display	131F7151	4978	131H3092	5512	131H3091	5885
IP20 encl. display + Profibus	131H2032	5077	131H2071	5611	131H3970	5984
IP20 encl. + Graphic Display	131F0440	5046	131F0444	5580	131F0178	5953
IP20 encl. + Graphic Display + Profibus	131H3967	5145	131H1594	5679	131H3969	6052
IP55 encl. + Graphic Display	131B6035	5544	131B4582	6078	131B5598	6451
IP55 encl. + Graphic Display + Profibus	131F8351	5643	131B8646	6177	131B9666	6550

### Accessories

Brakeresistor	7,3 ohm / 10% duty cycle	175U0069	575
Brakeresistor	7,3 ohm / 40% duty cycle	175U0068	1574
LC Filter IP00 (160%)		130B2284	1454
LC Filter IP20 (160%)		130B2310	1938

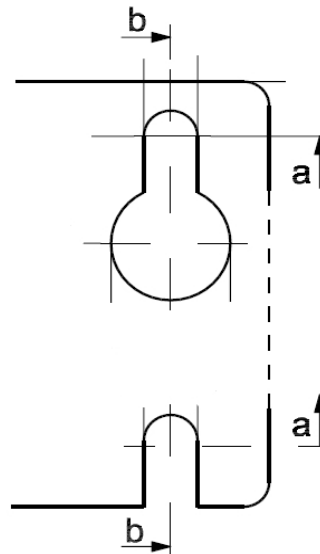
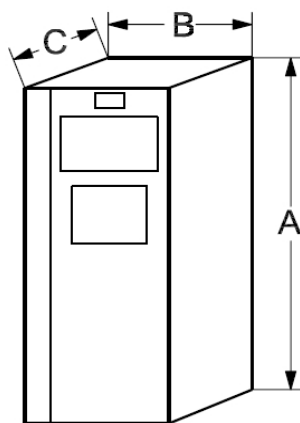
For all other accessories and options see the general FC 300 accessories/options page

Dimensions		A	B	C	a	b	Weight
IP20 enclosure	(type C4)	660	370	333	631	330	50 kg
IP55 enclosure	(type C2)	770	370	335	739	334	65 kg

Minimal space under and above drive: 225 mm

### Dimensions excl. options

Max. powerloss (heat dissipation) at full power (based on 160%) : 1022 Watt



Danfoss VLT Drives

Configure your drive with our Drive Configurator

0870 241 7100

[www.driveconfigurator.com](http://www.driveconfigurator.com)

# VLT AutomationDrive

# FC 302 55 kW 3x380-500V

FC302	PKxx	T5	Exx	H	x	x	x	x	x	x	x	x	SXXXX	Ax	Bx	Cx	Dx	Price GBP
<b>Power (Basic Price)</b>																		
55 kW - 106 A	P55K																	4978
<b>Enclosure IP 20</b>			E20															0
IP21			E21															399
IP55			E55															498
IP66			E66															896
IP21 met backplate			P21															413
IP55 with backplate			P55															515
<b>RFI-filter A2</b>				2														0
A1/B1 RFI-filter				1														534
<b>Brakeresistor - none</b>					X													0
with					B													373
<b>Display - none</b>						X												0
with numeric display						N												30
with graphic display						G												68
<b>Coating - none</b>							X											0
incl. coating							C											73
<b>General Options - none</b>								X										0
service switch								1										378
Loadsharing								D										166
<b>Communication Options - None</b>														AX				0
Profibus														A0				99
DeviceNet														A4				75
CANOpen														A6				75
Ethernet IP														AN				204
<b>I/O Options - none</b>															BX			0
General I/O															BK			64
Relay option															BP			70
Encoder															BR			138
CL Resolver															BU			159
Safety PLC interface															BZ			54
<b>SyncPos Options - see general FC 300 options</b>																CX		0
<b>D-options - none</b>																	DX	0
24Vdc back-up																	D0	42

Because of rounding totalprices can differ from the prices on the other side of this page.

Prices valid until: 31/12/2008

## FC302-P75K 3x380-500V

CT 160%; 75 kW / 147 A

S2A Standard Version with class 2A RFI-filter

ST Standard version

SB ST + brakechopper

110%; 90 kW / 177 A

	Article nr.	Price GBP	Article nr.	Price GBP	Article nr.	Price GBP
	S2A		ST		SB	
IP20 encl. display	131F7152	5708	131H2109	6304	131H2644	6732
IP20 encl. display + Profibus	131H3971	5807	131H3321	6403	131H3975	6831
IP20 encl. + Graphic Display	131F0446	5776	131F0445	6372	131F6614	6800
IP20 encl. + Graphic Display + Profibus	131H2641	5875	131H1602	6471	131H3972	6899
IP55 encl. + Graphic Display	131B6039	6346	131B4584	6942	131B6040	7370
IP55 encl. + Graphic Display + Profibus	131F6195	6445	131B9832	7041	131B8643	7469

### Accessories

Brakeresistor	6 ohm / 10% duty cycle	175U0067	632
Brakeresistor	6 ohm / 40% duty cycle	175U0066	1783
LC Filter IP00 (160%)		130B2285	2097
LC Filter IP20 (160%)		130B2311	2798

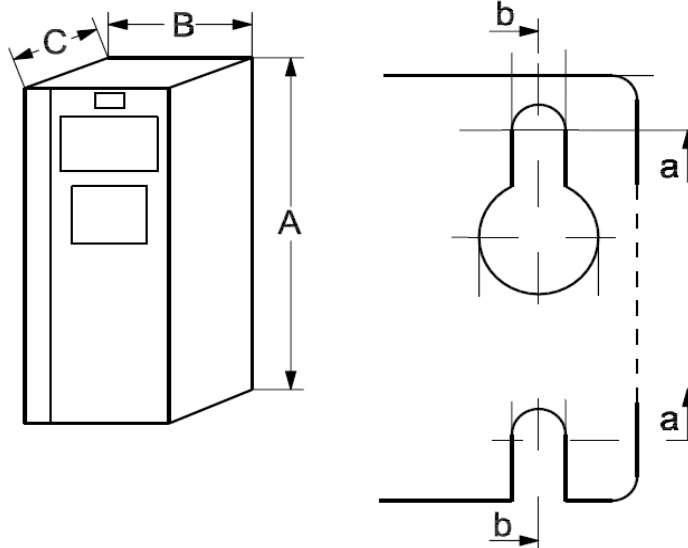
For all other accessories and options see the general FC 300 accessories/options page

Dimensions		A	B	C	a	b	Weight
IP20 enclosure	(type C4)	660	370	333	631	330	50 kg
IP55 enclosure	(type C2)	770	370	335	739	334	65 kg

Minimal space under and above drive: 225 mm

### Dimensions excl. options

Max. powerloss (heat dissipation) at full power (based on 160%) : 1232 Watt



# VLT AutomationDrive

# FC 302 75 kW 3x380-500V

FC302	PKxx	T5	Exx	H	x	x	x	x	x	x	x	x	SXXXX	Ax	Bx	Cx	Dx	Price GBP
<b>Power (Basic Price)</b>	↑		↑	↑	↑	↑	↑	↑	↑	↑	↑	↑		↑	↑	↑	↑	
75 kW - 147 A	P75K																	5708
<b>Enclosure IP 20</b>			E20															0
IP21			E21															456
IP55			E55															571
IP66			E66															1028
IP21 met backplate			P21															470
IP55 with backplate			P55															587
<b>RFI-filter A2</b>				2														0
A1/B1 RFI-filter				1														596
<b>Brakeresistor - none</b>					X													0
with					B													428
<b>Display - none</b>						X												0
with numeric display						N												30
with graphic display						G												68
<b>Coating - none</b>							X											0
incl. coating							C											73
<b>General Options - none</b>								X										0
service switch								1										378
Loadsharing								D										191
<b>Communication Options - None</b>														AX				0
Profibus														A0				99
DeviceNet														A4				75
CANOpen														A6				75
Ethernet IP														AN				204
<b>I/O Options - none</b>															BX			0
General I/O															BK			64
Relay option															BP			70
Encoder															BR			138
CL Resolver															BU			159
Safety PLC interface															BZ			54
<b>SyncPos Options - see general FC 300 options</b>																CX		0
<b>D-options - none</b>																	DX	0
24Vdc back-up																	D0	42

Because of rounding totalprices can differ from the prices on the other side of this page.

Prices valid until: 31/12/2008

## FC302-P90K 3x380-500V

CT 160%; 90 kW / 177 A

110%; 110 kW / 212 A

S2A Standard Version with class 2A RFI-filter

ST Standard version

SB ST + brakechopper

	Article nr.	Price GBP	Article nr.	Price GBP	Article nr.	Price GBP
	S2A		ST		SB	
IP00 encl. display	131F2217	5913	131F2218	6642	131H0421	7121
IP00 encl. display + Profibus	131H0415	6012	131F7930	6741	131H0422	7220
IP00 encl. + Graphic Display	131B6818	5981	131B6813	6710	131B8492	7189
IP00 encl. + Graphic Display + Profibus	131B6823	6080	131B6824	6809	131F6838	7288
IP54 encl. + Graphic Display	131B6827	6730	131B6828	7459	131F2866	7938
IP54 encl. + Graphic Display + Profibus	131B6829	6829	131B6830	7558	131H0188	8037

### Accessories

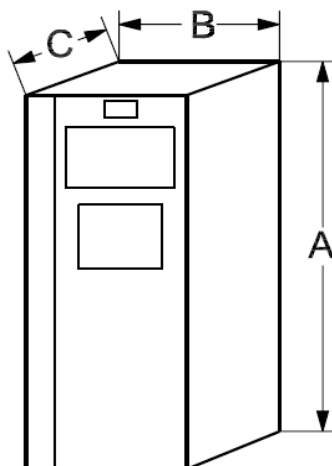
Brakeresistor	3,8 ohm / 10% duty cycle	175U1960	782	
Brakeresistor	3,8 ohm / 40% duty cycle	175U0072	1362	(2 pcs needed)
LC Filter IP00 (160%)		130B2285	2097	
LC Filter IP20 (160%)		130B2311	2798	

For all other accessories and options see the general FC 300 accessories/options page

Dimensions		A	B	C	Weight
IP00 enclosure	(type D3)	997	408	373	82 kg
IP54 enclosure	(type D1)	1159	420	373	96 kg

Max. powerloss (heat dissipation) at full power (based on 160%) :

2641 Watt





# VLT AutomationDrive

# FC 302 90 kW 3x380-500V

FC302	PKxx	T5	Exx	H	x	x	x	x	x	x	x	SXXXX	Ax	Bx	Cx	Dx	Price GBP
<b>Power (Basic Price)</b>																	
90 kW - 177 A	P90K																5913
<b>Enclosure IP 00</b>			E00														0
IP21			E21														461
IP54			E54														750
IP21 with extra shield			E2M														610
IP54 with extra shield			E5M														899
<b>RFI-filter A2</b>				2													0
A1 RFI filter				4													729
Maritime use				6													1027
<b>Brakeresistor - none</b>					X												0
with					B												479
<b>Display - none</b>						X											0
with numeric display						N											30
with graphic display						G											68
<b>Coating - none</b>							X										0
incl. coating							C										243
<b>General Options - none</b>								X									0
Service switch + Fuses								3									457
Service switch + Fuses + Loadsh.								5									671
Fuses								7									180
Fuses + Loadsharing								A									394
Loadsharing								D									214
<b>Communication Options - None</b>													AX				0
Profibus													A0				99
DeviceNet													A4				75
CANOpen													A6				75
Ethernet IP													AN				204
<b>I/O Options - none</b>														BX			0
General I/O														BK			64
Relay option														BP			70
Encoder														BR			138
CL Resolver														BU			159
Safety PLC interface														BZ			54
<b>SyncPos Options - see general FC 300 options</b>															CX		0
<b>D-options - none</b>																DX	0
24Vdc back-up																D0	42

Because of rounding totalprices can differ from the prices on the other side of this page.

=TEKSTEN!A242

31/12/2008

## FC302-P110 3x380-500V

CT 160%; 110 kW / 212 A

110%; 132 kW / 260 A

S2A Standard Version with class 2A RFI-filter

ST Standard version

SB ST + brakechopper

	Article nr.	Price GBP	Article nr.	Price GBP	Article nr.	Price GBP
	S2A		ST		SB	
IP00 encl. display	131F2336	7150	131F2337	8031	131H0428	8610
IP00 encl. display + Profibus	131H0424	7249	131H0426	8130	131H0429	8709
IP00 encl. + Graphic Display	131B6814	7218	131B6819	8099	131F1409	8678
IP00 encl. + Graphic Display + Profibus	131B6834	7317	131B6835	8198	131H0432	8777
IP54 encl. + Graphic Display	131B6838	8124	131B6839	9005	131F2893	9584
IP54 encl. + Graphic Display + Profibus	131B6840	8223	131B6841	9104	131F1825	9683

### Accessories

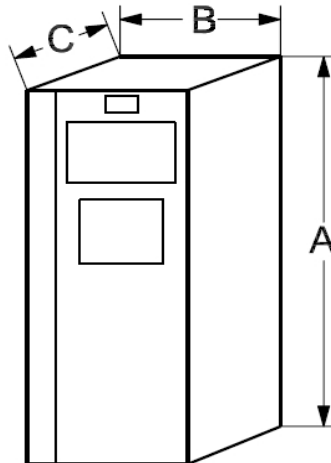
Brakeresistor	3,2 ohm / 10% duty cycle	175U1961	906	
Brakeresistor	3,2 ohm / 40% duty cycle	175U0073	1566	(2 pcs needed)
LC Filter IP00 (160%)		130B2286	2535	
LC Filter IP20 (160%)		130B2312	3380	

For all other accessories and options see the general FC 300 accessories/options page

Dimensions		A	B	C	Weight
IP00 enclosure	(type D3)	997	408	373	91 kg
IP54 enclosure	(type D1)	1159	420	373	104 kg

Max. powerloss (heat dissipation) at full power (based on 160%) :

2995 Watt



# VLT AutomationDrive

# FC 302 110 kW 3x380-500V

FC302	PKxx	T5	Exx	H	x	x	x	x	x	x	x	SXXXX	Ax	Bx	Cx	Dx	Price GBP
<b>Power (Basic Price)</b>																	
110 kW - 212 A	P110																7150
<b>Enclosure IP 00</b>			E00														0
IP21			E21														558
IP54			E54														907
IP21 with extra shield			E2M														707
IP54 with extra shield			E5M														1056
<b>RFI-filter A2</b>				2													0
A1 RFI filter				4													881
Maritime use				6													1179
<b>Brakeresistor - none</b>					X												0
with					B												579
<b>Display - none</b>						X											0
with numeric display						N											30
with graphic display						G											68
<b>Coating - none</b>							X										0
incl. coating							C										243
<b>General Options - none</b>								X									0
Service switch + Fuses								3									457
Service switch + Fuses + Loadsh.								5									716
Fuses								7									180
Fuses + Loadsharing								A									438
Loadsharing								D									258
<b>Communication Options - None</b>													AX				0
Profibus													A0				99
DeviceNet													A4				75
CANOpen													A6				75
Ethernet IP													AN				204
<b>I/O Options - none</b>														BX			0
General I/O														BK			64
Relay option														BP			70
Encoder														BR			138
CL Resolver														BU			159
Safety PLC interface														BZ			54
<b>SyncPos Options - see general FC 300 options</b>															CX		0
<b>D-options - none</b>																DX	0
24Vdc back-up																D0	42

Because of rounding totalprices can differ from the prices on the other side of this page.

Prices valid until: 31/12/2008

# VLT AutomationDrive

## FC302-P132 3x380-500V

CT 160%; 132 kW / 260 A

110%; 160 kW / 315 A

S2A Standard Version with class 2A RFI-filter

ST Standard version

SB ST + brakechopper

	Article nr.	Price GBP	Article nr.	Price GBP	Article nr.	Price GBP
	S2A		ST		SB	
IP00 encl. display	131F2338	8753	131F2339	9832	131H0436	10541
IP00 encl. display + Profibus	131H0433	8852	131F7928	9931	131H0437	10640
IP00 encl. + Graphic Display	131B6842	8821	131B6843	9900	131B6548	10609
IP00 encl. + Graphic Display + Profibus	131B6844	8920	131B6845	9999	131H0440	10708
IP54 encl. + Graphic Display	131B6848	9930	131B6849	11009	131F2902	11718
IP54 encl. + Graphic Display + Profibus	131B6850	10029	131B6851	11108	131H0474	11817

### Accessories

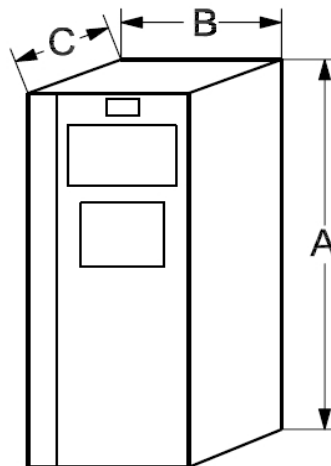
Brakeresistor	2,6 ohm / 10% duty cycle	175U1962	1012	
Brakeresistor	2,6 ohm / 40% duty cycle	175U0074	0	(2 pcs needed)
LC Filter IP00 (160%)		130B2286	2535	
LC Filter IP20 (160%)		130B2312	3380	

For all other accessories and options see the general FC 300 accessories/options page

Dimensions		A	B	C	Weight
IP00 enclosure	(type D4)	1277	408	373	112 kg
IP54 enclosure	(type D2)	1540	420	373	125 kg

Max. powerloss (heat dissipation) at full power (based on 160%) :

3425 Watt



Danfoss VLT Drives

Configure your drive with our Drive Configurator

0870 241 7100

[www.driveconfigurator.com](http://www.driveconfigurator.com)

# VLT AutomationDrive

# FC 302 132 kW 3x380-500V

FC302	PKxx	T5	Exx	H	x	x	x	x	x	x	x	x	SXXXX	Ax	Bx	Cx	Dx	Price GBP
<b>Power (Basic Price)</b>	↑		↑	↑	↑	↑	↑	↑	↑	↑	↑	↑		↑	↑	↑	↑	
132 kW - 260 A	P132																	8753
<b>Enclosure IP 00</b>			E00															0
IP21			E21															683
IP54			E54															1110
IP21 with extra shield			E2M															832
IP54 with extra shield			E5M															1259
<b>RFI-filter A2</b>				2														0
A1 RFI filter				4														1079
Maritime use				6														1377
<b>Brakeresistor - none</b>					X													0
with					B													709
<b>Display - none</b>						X												0
with numeric display						N												30
with graphic display						G												68
<b>Coating - none</b>							X											0
incl. coating							C											243
<b>General Options - none</b>								X										0
Service switch + Fuses								3										941
Service switch + Fuses + Loadsh.								5										1257
Fuses								7										286
Fuses + Loadsharing								A										602
Loadsharing								D										316
<b>Communication Options - None</b>													AX					0
Profibus													A0					99
DeviceNet													A4					75
CANOpen													A6					75
Ethernet IP													AN					204
<b>I/O Options - none</b>															BX			0
General I/O															BK			64
Relay option															BP			70
Encoder															BR			138
CL Resolver															BU			159
Safety PLC interface															BZ			54
<b>SyncPos Options - see general FC 300 options</b>																CX		0
<b>D-options - none</b>																	DX	0
24Vdc back-up																	D0	42

Because of rounding totalprices can differ from the prices on the other side of this page.

Prices valid until: 31/12/2008

## FC302-P160 3x380-500V

CT 160%; 160 kW / 315 A

110%; 200 kW / 395 A

S2A Standard Version with class 2A RFI-filter

ST Standard version

SB ST + brakechopper

	Article nr.	Price GBP	Article nr.	Price GBP	Article nr.	Price GBP
	S2A		ST		SB	
IP00 encl. display	131F2349	10463	131F2350	11752	131H0480	12599
IP00 encl. display + Profibus	131H0476	10562	131H0478	11851	131H0481	12698
IP00 encl. + Graphic Display	131B6815	10531	131B6820	11820	131F2906	12667
IP00 encl. + Graphic Display + Profibus	131B6852	10630	131B6854	11919	131F5580	12766
IP54 encl. + Graphic Display	131B6858	11858	131B6859	13147	131F2903	13994
IP54 encl. + Graphic Display + Profibus	131B6860	11957	131B6861	13246	131H0490	14093

### Accessories

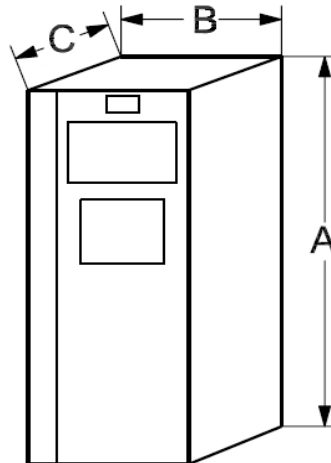
Brakeresistor	2,1 ohm / 10% duty cycle	175U1963	1364	
Brakeresistor	2,1 ohm / 40% duty cycle	175U0075	0	(3 pcs needed)
LC Filter IP00 (160%)		130B2287	3777	
LC Filter IP20 (160%)		130B2313	4533	

For all other accessories and options see the general FC 300 accessories/options page

Dimensions		A	B	C	Weight
IP00 enclosure	(type D4)	1277	408	373	123 kg
IP54 enclosure	(type D2)	1540	420	373	136 kg

Max. powerloss (heat dissipation) at full power (based on 160%) :

3910 Watt



# VLT AutomationDrive

# FC 302 160 kW 3x380-500V

FC302	PKxx	T5	Exx	H	x	x	x	x	x	x	x	SXXXX	Ax	Bx	Cx	Dx	Price GBP
<b>Power (Basic Price)</b>	↑		↑	↑	↑	↑	↑	↑	↑	↑	↑		↑	↑	↑	↑	
160 kW - 315 A	P160																10463
<b>Enclosure IP 00</b>			E00														0
IP21			E21														817
IP54			E54														1327
IP21 with extra shield			E2M														966
IP54 with extra shield			E5M														1476
<b>RFI-filter A2</b>				2													0
A1 RFI filter				4													1289
Maritime use				6													1587
<b>Brakeresistor - none</b>					X												0
with					B												847
<b>Display - none</b>						X											0
with numeric display						N											30
with graphic display						G											68
<b>Coating - none</b>							X										0
incl. coating							C										243
<b>General Options - none</b>								X									0
Service switch + Fuses								3									941
Service switch + Fuses + Loadsh.								5									1319
Fuses								7									286
Fuses + Loadsharing								A									664
Loadsharing								D									378
<b>Communication Options - None</b>													AX				0
Profibus													A0				99
DeviceNet													A4				75
CANOpen													A6				75
Ethernet IP													AN				204
<b>I/O Options - none</b>														BX			0
General I/O														BK			64
Relay option														BP			70
Encoder														BR			138
CL Resolver														BU			159
Safety PLC interface														BZ			54
<b>SyncPos Options - see general FC 300 options</b>															CX		0
<b>D-options - none</b>																DX	0
24Vdc back-up																D0	42

Because of rounding totalprices can differ from the prices on the other side of this page.

Prices valid until: 31/12/2008

## FC302-P200 3x380-500V

CT 160%; 200 kW / 395 A

110%; 250 kW / 480 A

S2A Standard Version with class 2A RFI-filter

ST Standard version

SB ST + brakechopper

	Article nr.	Price GBP	Article nr.	Price GBP	Article nr.	Price GBP
	S2A		ST		SB	
IP00 encl. display	131F2354	12494	131F2352	14033	131H0504	15045
IP00 encl. display + Profibus	131H0500	12593	131H0502	14132	131H0505	15144
IP00 encl. + Graphic Display	131B6418	12562	131B6862	14101	131F2221	15113
IP00 encl. + Graphic Display + Profibus	131B6863	12661	131B6864	14200	131H0508	15212
IP54 encl. + Graphic Display	131B6867	14146	131B6868	15685	131F2241	16697
IP54 encl. + Graphic Display + Profibus	131B6869	14245	131B6870	15784	131H0514	16796

### Accessories

Brakeresistor 1,65 ohm / 10% duty cycle 175U1061 1014 (2 pcs needed)

LC Filter IP00 (160%) 130B2287 3777

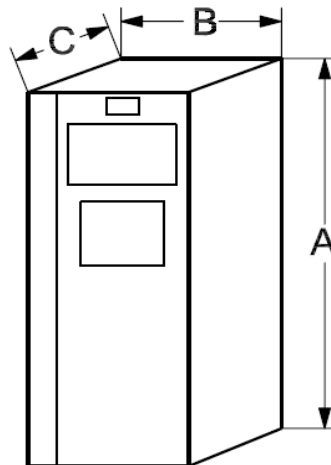
LC Filter IP20 (160%) 130B2313 4533

For all other accessories and options see the general FC 300 accessories/options page

Dimensions		A	B	C	Weight
IP00 enclosure	(type D4)	1277	408	373	138 kg
IP54 enclosure	(type D2)	1540	420	373	151 kg

Max. powerloss (heat dissipation) at full power (based on 160%) :

4625 Watt





# VLT AutomationDrive

# FC 302 200 kW 3x380-500V

FC302	PKxx	T5	Exx	H	x	x	x	x	x	x	x	SXXXX	Ax	Bx	Cx	Dx	Price GBP
<b>Power (Basic Price)</b>	↑		↑	↑	↑	↑	↑	↑	↑	↑	↑		↑	↑	↑	↑	
200 kW - 395 A	P200																12494
<b>Enclosure IP 00</b>			E00														0
IP21			E21														975
IP54			E54														1584
IP21 with extra shield			E2M														1124
IP54 with extra shield			E5M														1734
<b>RFI-filter A2</b>				2													0
A1 RFI filter				4													1539
Maritime use				6													1837
<b>Brakeresistor - none</b>					X												0
with					B												1012
<b>Display - none</b>						X											0
with numeric display						N											30
with graphic display						G											68
<b>Coating - none</b>							X										0
incl. coating							C										243
<b>General Options - none</b>								X									0
Service switch + Fuses								3									941
Service switch + Fuses + Loadsh.								5									1393
Fuses								7									286
Fuses + Loadsharing								A									738
Loadsharing								D									451
<b>Communication Options - None</b>													AX				0
Profibus													A0				99
DeviceNet													A4				75
CANOpen													A6				75
Ethernet IP													AN				204
<b>I/O Options - none</b>														BX			0
General I/O														BK			64
Relay option														BP			70
Encoder														BR			138
CL Resolver														BU			159
Safety PLC interface														BZ			54
<b>SyncPos Options - see general FC 300 options</b>															CX		0
<b>D-options - none</b>																DX	0
24Vdc back-up																D0	42

Because of rounding totalprices can differ from the prices on the other side of this page.

Prices valid until: 31/12/2008

# VLT AutomationDrive

## FC302-P250 3x380-500V

CT 160%; 250 kW / 480 A

110%; 315 kW / 600 A

S2A Standard Version with class 2A RFI-filter

ST Standard version

SB ST + brakechopper

	Article nr.	Price GBP	Article nr.	Price GBP	Article nr.	Price GBP
	S2A		ST		SB	
IP00 incl. + Graphic Display	131B3541	15119	131B6871	16981	131F2341	18200
IP00 incl. + Graphic Display + Profibus	131B6872	15218	131B6873	17080	131F2381	18299
IP54 incl. + Graphic Display	131B6877	17028	131B6878	18890	131F2371	20109
IP54 incl. + Graphic Display + Profibus	131B6879	17127	131B6880	18989	131F2490	20208

### Accessories

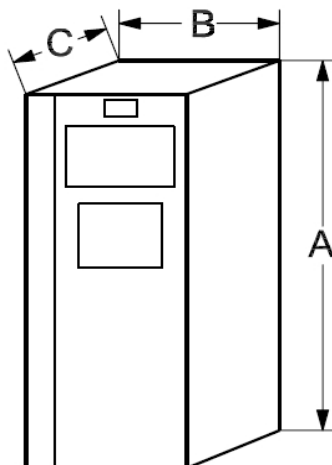
Brakeresistor	1,3 ohm / 10% duty cycle	175U1062	1262	(2 pcs needed)
LC Filter IP00 (160%)		130B2288	4543	
LC Filter IP20 (160%)		130B2314	5451	

For all other accessories and options see the general FC 300 accessories/options page

Dimensions		A	B	C	Weight
IP00 enclosure	(type E2)	1499	585	494	221 kg
IP54 enclosure	(type E1)	2000	600	494	263 kg

Max. powerloss (heat dissipation) at full power (based on 160%) :

6005 Watt



# VLT AutomationDrive

# FC 302 250 kW 3x380-500V

FC302	PKxx	T5	Exx	H	x	x	x	x	x	x	x	x	SXXXX	Ax	Bx	Cx	Dx	Price GBP
<b>Power (Basic Price)</b>	↑		↑	↑	↑	↑	↑	↑	↑	↑	↑	↑		↑	↑	↑	↑	
250 kW - 480 A	P250																	15052
<b>Enclosure IP 00</b>			E00															0
IP21			E21															1175
IP54			E54															1909
IP21 with extra shield			E2M															1573
IP54 with extra shield			E5M															2306
<b>RFI-filter A2</b>				2														0
A1 RFI filter				4														1862
<b>Brakeresistor - none</b>					X													0
with					B													1219
<b>Display - none</b>						X												0
with numeric display						N												30
with graphic display						G												68
<b>Coating - none</b>							X											0
incl. coating							C											0
<b>General Options - none</b>								X										0
Service switch + Fuses								3										2378
Service switch + Fuses + Loadsh.								5										2921
Fuses								7										463
Fuses + Loadsharing								A										1007
Loadsharing								D										544
<b>Communication Options - None</b>														AX				0
Profibus														A0				99
DeviceNet														A4				75
CANOpen														A6				75
Ethernet IP														AN				204
<b>I/O Options - none</b>															BX			0
General I/O															BK			64
Relay option															BP			70
Encoder															BR			138
CL Resolver															BU			159
Safety PLC interface															BZ			54
<b>SyncPos Options - see general FC 300 options</b>																CX		0
<b>D-options - none</b>																	DX	0
24Vdc back-up																	D0	42

Because of rounding totalprices can differ from the prices on the other side of this page.  
 Prices valid until: 31/12/2008

# VLT AutomationDrive

## FC302-P315 3x380-500V

CT 160%; 315 kW / 600 A

110%; 355 kW / 658 A

S2A Standard Version with class 2A RFI-filter

ST Standard version

SB ST + brakechopper

	Article nr.	Price GBP	Article nr.	Price GBP	Article nr.	Price GBP
	S2A		ST		SB	
IP00 incl. + Graphic Display	131B6881	17839	131B6882	20036	131F2342	21475
IP00 incl. + Graphic Display + Profibus	131B6883	17938	131B6884	20135	131F2382	21574
IP54 incl. + Graphic Display	131B6889	20093	131B6890	22290	131F2372	23729
IP54 incl. + Graphic Display + Profibus	131B6891	20192	131B6892	22389	131F2491	23828

### Accessories

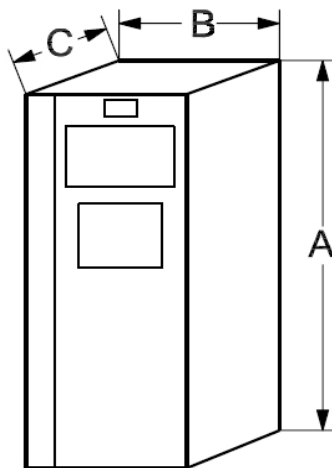
Brakeresistor	1,3 ohm / 10% duty cycle	175U1062	1262	(2 pcs needed)
LC Filter IP00 (160%)		130B2289	5859	
LC Filter IP20 (160%)		130B2315	7031	

For all other accessories and options see the general FC 300 accessories/options page

Dimensions		A	B	C	Weight
IP00 enclosure	(type E2)	1499	585	494	234 kg
IP54 enclosure	(type E1)	2000	600	494	270 kg

Max. powerloss (heat dissipation) at full power (based on 160%) :

6960 Watt



# VLT AutomationDrive

# FC 302 315 kW 3x380-500V

FC302	PKxx	T5	Exx	H	x	x	x	x	x	x	x	SXXXX	Ax	Bx	Cx	Dx	Price GBP
<b>Power (Basic Price)</b>																	
315 kW - 600 A	P315																17771
<b>Enclosure IP 00</b>			E00														0
IP21			E21														1387
IP54			E54														2253
IP21 with extra shield			E2M														1784
IP54 with extra shield			E5M														2651
<b>RFI-filter A2</b>				2													0
A1 RFI filter				4													2197
<b>Brakeresistor - none</b>					X												0
with					B												1439
<b>Display - none</b>						X											0
with numeric display						N											30
with graphic display						G											68
<b>Coating - none</b>							X										0
incl. coating							C										0
<b>General Options - none</b>								X									0
Service switch + Fuses								3									2378
Service switch + Fuses + Loadsh.								5									3019
Fuses								7									463
Fuses + Loadsharing								A									1104
Loadsharing								D									641
<b>Communication Options - None</b>													AX				0
Profibus													A0				99
DeviceNet													A4				75
CANOpen													A6				75
Ethernet IP													AN				204
<b>I/O Options - none</b>														BX			0
General I/O														BK			64
Relay option														BP			70
Encoder														BR			138
CL Resolver														BU			159
Safety PLC interface														BZ			54
<b>SyncPos Options - see general FC 300 options</b>															CX		0
<b>D-options - none</b>																DX	0
24Vdc back-up																D0	42

Because of rounding totalprices can differ from the prices on the other side of this page.  
 Prices valid until: 31/12/2008

# VLT AutomationDrive

## FC302-P355 3x380-500V

CT 160%; 355 kW / 658 A

110%; 400 kW / 745 A

S2A Standard Version with class 2A RFI-filter

ST Standard version

SB ST + brakechopper

	Article nr.	Price GBP	Article nr.	Price GBP	Article nr.	Price GBP
	S2A		ST		SB	
IP00 incl. + Graphic Display	131B6893	20174	131B6894	22668	131F2343	24296
IP00 incl. + Graphic Display + Profibus	131B6895	20273	131B6896	22767	131F2383	24395
IP54 incl. + Graphic Display	131B6901	22724	131B6902	25218	131F2373	26846
IP54 incl. + Graphic Display + Profibus	131B6903	22823	131B6904	25317	131F2492	26945

### Accessories

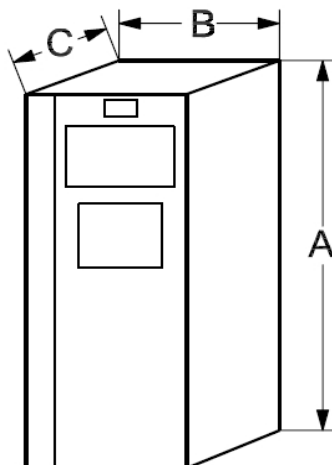
Brakeresistor	1,3 ohm / 10% duty cycle	175U1062	1262	(2 pcs needed)
LC Filter IP00 (160%)		130B2289	5859	
LC Filter IP20 (160%)		130B2315	7031	

For all other accessories and options see the general FC 300 accessories/options page

Dimensions		A	B	C	Weight
IP00 enclosure	(type E2)	1499	585	494	236 kg
IP54 enclosure	(type E1)	2000	600	494	272 kg

Max. powerloss (heat dissipation) at full power (based on 160%) :

7691 Watt



# VLT AutomationDrive

# FC 302 355 kW 3x380-500V

FC302	PKxx	T5	Exx	H	x	x	x	x	x	x	x	SXXXX	Ax	Bx	Cx	Dx	Price GBP	
<b>Power (Basic Price)</b>	↑		↑	↑	↑	↑	↑	↑	↑	↑	↑		↑	↑	↑	↑		
355 kW - 658 A	P355																	20106
<b>Enclosure IP 00</b>			E00															0
IP21			E21															1570
IP54			E54															2550
IP21 with extra shield			E2M															1967
IP54 with extra shield			E5M															2947
<b>RFI-filter A2</b>				2														0
A1 RFI filter				4														2494
<b>Brakeresistor - none</b>					X													0
with					B													1628
<b>Display - none</b>						X												0
with numeric display						N												30
with graphic display						G												68
<b>Coating - none</b>							X											0
incl. coating							C											0
<b>General Options - none</b>								X										0
Service switch + Fuses									3									2378
Service switch + Fuses + Loadsh.									5									3103
Fuses									7									463
Fuses + Loadsharing									A									1189
Loadsharing									D									726
<b>Communication Options - None</b>													AX					0
Profibus													A0					99
DeviceNet													A4					75
CANOpen													A6					75
Ethernet IP													AN					204
<b>I/O Options - none</b>														BX				0
General I/O														BK				64
Relay option														BP				70
Encoder														BR				138
CL Resolver														BU				159
Safety PLC interface														BZ				54
<b>SyncPos Options - see general FC 300 options</b>															CX			0
<b>D-options - none</b>																DX		0
24Vdc back-up																D0		42

Because of rounding totalprices can differ from the prices on the other side of this page.  
 Prices valid until: 31/12/2008

# VLT AutomationDrive

## FC302-P400 3x380-500V

CT 160%; 400 kW / 695 A

110%; 450 kW / 800 A

S2A Standard Version with class 2A RFI-filter

ST Standard version

SB ST + brakechopper

	Article nr.	Price GBP	Article nr.	Price GBP	Article nr.	Price GBP
	S2A		ST		SB	
IP00 incl. + Graphic Display	131B6905	23981	131B6906	26844	131F2344	28780
IP00 incl. + Graphic Display + Profibus	131B6907	24080	131B6908	26943	131F2384	28879
IP54 incl. + Graphic Display	131B6913	27014	131B6914	29877	131F2374	31813
IP54 incl. + Graphic Display + Profibus	131B6915	27113	131B6916	29976	131F2493	31912

### Accessories

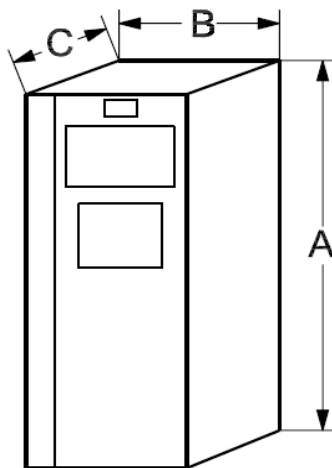
Brakeresistor	1,3 ohm / 10% duty cycle	175U1062	1262	(2 pcs needed)
LC Filter IP00 (160%)		130B2290	7058	
LC Filter IP20 (160%)		130B2316	8469	

For all other accessories and options see the general FC 300 accessories/options page

Dimensions		A	B	C	Weight
IP00 enclosure	(type E2)	1499	585	494	277 kg
IP54 enclosure	(type E1)	2000	600	494	313 kg

Max. powerloss (heat dissipation) at full power (based on 160%) :

7964 Watt





# VLT AutomationDrive

# FC 302 400 kW 3x380-500V

FC302	PKxx	T5	Exx	H	x	x	x	x	x	x	x	SXXXX	Ax	Bx	Cx	Dx	Price GBP	
<b>Power (Basic Price)</b>																		
400 kW - 695 A	P400																	23914
<b>Enclosure IP 00</b>			E00															0
IP21			E21															1867
IP54			E54															3033
IP21 with extra shield			E2M															2264
IP54 with extra shield			E5M															3430
<b>RFI-filter A2</b>				2														0
A1 RFI filter				4														2863
<b>Brakeresistor - none</b>					X													0
with					B													1936
<b>Display - none</b>						X												0
with numeric display						N												30
with graphic display						G												68
<b>Coating - none</b>							X											0
incl. coating							C											0
<b>General Options - none</b>								X										0
Service switch + Fuses								3										2378
Service switch + Fuses + Loadsh.								5										3241
Fuses								7										463
Fuses + Loadsharing								A										1326
Loadsharing								D										863
<b>Communication Options - None</b>													AX					0
Profibus													A0					99
DeviceNet													A4					75
CANOpen													A6					75
Ethernet IP													AN					204
<b>I/O Options - none</b>														BX				0
General I/O														BK				64
Relay option														BP				70
Encoder														BR				138
CL Resolver														BU				159
Safety PLC interface														BZ				54
<b>SyncPos Options - see general FC 300 options</b>															CX			0
<b>D-options - none</b>																DX		0
24Vdc back-up																D0		42

Because of rounding totalprices can differ from the prices on the other side of this page.  
 Prices valid until: 31/12/2008

# VLT AutomationDrive

## General Options for the VLT AutomationDrive

Description	Model	Code	Article nr.	Price GBP
<b>Fieldbus options</b>				
Profibus	MCA101	A0	130B1100	99
Profibus - coated	MCA101		130B1200	112
Profibus - top entry	MCA101	A1		124
DeviceNet	MCA104	A4	130B1102	75
DeviceNet - coated	MCA104		130B1202	87
DeviceNet - top entry	MCA104	A5		99
CANOpen	MCA105	A6	130B1103	75
CANOpen - coated	MCA105		130B1205	87
CANOpen - top entry	MCA105	A7		99
Ethernet IP	MCA121	AN	130B1119	204
Profibus - converter	VLT3000	AT	130B1245	203
<b>Input/Output options</b>				
General I/O	MCB101	BK	130B1125	64
General I/O - coated	MCB101		130B1212	76
Encoder	MCB102	BR	130B1115	138
Encoder - coated	MCB102		130B1203	151
CL Resolver	MCB103	BU	130B1127	159
CL Resolver - coated	MCB103		130B1227	172
Relay option	MCB105	BP	130B1110	70
Relay option - coated	MCB105		130B1210	82
24V option	MCB107	D0	130B1108	42
24V option - coated	MCB107		130B1208	54
Safety PLC interface	MCB108	BZ	130B1120	54
ATEX PTC Thermistor Option - coated	MCB112	B2	130B1137	96
External Relay option	MCB113	BP	130B1164	154
External Relay option - coated	MCB113		130B1264	167
<b>Progr. Motion Control options</b>				
SyncPos	MCO305	C4	130B1134	298
SyncPos - coated	MCO305		130B1234	331
Synchronisation controller (only in combination with MCO305)	MCO350	10	130B1152	398
Synchronisation contr. (only in comb. with MCO305) - coated	MCO350		130B1252	430
Positioning controller (only in combination with MCO305)	MCO351	11	130B1153	398
Positioning contr. (only in comb. with MCO305) - coated	MCO351		130B1253	430
Center Winder (only in combination with MCO305)	MCO352	12	130B1165	398
Center Winder (only in comb. with MCO305) - coated	MCO352		130B1166	430

Danfoss VLT Drives

0870 241 7100

Configure your drive with our Drive Configurator

[www.driveconfigurator.com](http://www.driveconfigurator.com)

# VLT AutomationDrive

## General Options for the VLT AutomationDrive

Description	Article nr.	Price GBP
<b>Display options</b>		
Numeric display LCP101	130B1124	30
Graphic display LCP102	130B1107	68
LCP-kit for remote mounting of display (incl. 3 mtr cable, excl. display)	130B1117	34
LCP-kit for remote mounting of display (incl. numeric display LCP101 + 3 mtr cable)	130B1113	64
LCP-kit for remote mounting of display (incl. graphic display LCP102 + 3 mtr cable)	130B1114	101
LCP-cable (length 3 meters incl. connectors)	175Z0929	14
<b>Backplates</b>		
Backplate A5 IP55 / Nema 12	130B1098	10
Backplate B1 IP21 / IP55 / Nema 12	130B3383	10
Backplate B2 IP21 / IP55 / Nema 12	130B3397	13
Backplate C1 IP21 / IP55 / Nema 12	130B3910	13
Backplate C2 IP21 / IP55 / Nema 12	130B3911	17
<b>Backplates RVS</b>		
Backplate A5 IP66 / Nema 4x	130B3242	33
Backplate B1 IP66 / Nema 4x	130B3434	35
Backplate B2 IP66 / Nema 4x	130B3465	37
Backplate C1 IP66 / Nema 4x	130B3468	54
Backplate C2 IP66 / Nema 4x	130B3491	76
<b>Accessories</b>		
Mounting frame for 1 brakeresistor (A2)	175U0085	37
Mounting frame for 1 brakeresistor (A3)	175U0088	37
Mounting frame for 2 brakeresistors (A2)	175U0087	37
Mounting frame for 2 brakeresistors (A3)	175U0086	38
Floorstand for IP21/IP54 frames	176F1827	298
Adaptor Plate FC300 - VLT5000 (Bookstyle IP20 5001-03/200V, 5001-05/400V)	130B0169	
Adaptor Plate FC300 - VLT5000 (Bookstyle IP20 5004-06/200V, 5006-11/400V)	130B0170	
Adaptor Plate FC300 - VLT 5000 (Compact IP20)	130B0171	

Danfoss VLT Drives

0870 241 7100

Configure your drive with our Drive Configurator

[www.driveconfigurator.com](http://www.driveconfigurator.com)

# VLT AutomationDrive

## General Options for the VLT AutomationDrive

Description	Model	Code	Article nr.	Price GBP
<b>Progr. Motion Control options</b>				
SyncPos controller (free programmable)	MCO305	C4		
SyncPos controller (free programmable) - coated	MCO305			
Synchronisatie controller (incl. program)	MCO350	10	130B1152	
Synchronisatie controller (incl. program) - coated	MCO350		130B1252	
Positioning controller (incl. program)	MCO351	11	130B1153	
Positioning controller (incl. program) - coated	MCO351		130B1253	
Center winder controller (incl. program)	MCO352	12	130B1165	
Center winder controller (incl. program) - coated	MCO352		130B1166	
Mounting kit MC-option, for A2 and A3 drives	MCF 105		130B7530	66
Mounting kit MC-option, for A5 drives	MCF 105		130B7532	66
Mounting kit MC-option, for B and C drives	MCF 105		130B7533	66

For information contact  
Danfoss

# VLT AutomationDrive

## Rittal options

Description	Article nr.	Price GBP
Airducts for Frame D1 - Rittal TS8 1800 mm	176F1824	358
Airducts for Frame D1 - Rittal TS8 2000 mm	176F1826	388
Airducts for Frame D2 - Rittal TS8 1800 mm	176F1823	358
Airducts for Frame D2 - Rittal TS8 2000 mm	176F1825	388
Airducts for Frame E1 - Rittal TS8 2000 mm	176F1850	726
Vented Plinth front panel for Rittal TS8 600mm x 100mm	176F0273	59
Vented Plinth front panel for Rittal TS8 800mm x 100mm	176F0274	69
Vented Plinth front panel for Rittal TS8 600mm x 200mm	176F0275	79
Vented Plinth front panel for Rittal TS8 800mm x 200mm	176F0276	87
Vented Plinth front panel for Rittal TS8 1000mm x 100mm	176F0277	80
Vented Plinth front panel for Rittal TS8 1200mm x 100mm	176F0278	114