

VLT® HVAC Drive

VLT® HVAC Drive FC102

Thanks to a number of very powerful features and options, the FC 102 is the best solution for HVAC climate control applications in the power range 0,25 to 450 kW. As part of the new generation VLT drives, the FC 102 offers the best possible reliability and dependability. Moreover the FC 102 offers the highest possible efficiency and energy savings.



Application	HVAC/R - Climate control systems
Power range	1,1 - 450 kW
Torque characteristics	VT 110%
Supply voltage	3 phase 200-240V 3 phase 380-480V 3 phase 525-600V
Enclosure	IP00, IP20, IP21, IP55 and IP66
Coating	Class 3C2 standard, class 3C3 optional
Control principle	VVCplus
Length motor cable	150 mtr (screened) 300 mtr (non-screened)
Inputs	Analog 2 / Digital 6
Outputs	Analog 1 / Digital 2 / Relay 2
Special functions	Automatic Motor Adaption (AMA) Automatic Energy Optimization Advanced Energy Monitoring PID control (auto-tune) Real-time Clockfunction Dry run detection Automatic switching between 4 setups Sleepmode
Motor protection	Electronic thermic motorprotection based on motor-model and motor-thermistor
Drive protection	Temperature heatsink, short-circuit on motor terminals, phase loss, earth faults and overload
Control	Graphic or numeric display Standard, customised or quick menu Help functions (graphic display)
Communication	USB, Fieldbus (Profibus, DeviceNET, LonWorks and BACNet) and RS485
Env. temperature	max. 50 degr. C
Options	24 Vdc backup, extra coating, LC-filter, extra I/O's, integrated service switch
Approval	CE, UL, C-tick

Danfoss VLT Drives

0870 241 7100

Configure your drive with our Drive Configurator

www.driveconfigurator.com

VLT® HVAC Drive

FC102-P1K1 3x380-480V

VT 110%; 1,1 kW / 3 A

ST Standard version with class 1A/1B RFI-filter

SW ST version + service switch

	Articlenr.	Price GBP
ST		
IP20 encl. - no display	131B7526	389
IP20 encl. + Graphic Display	131B4207	457

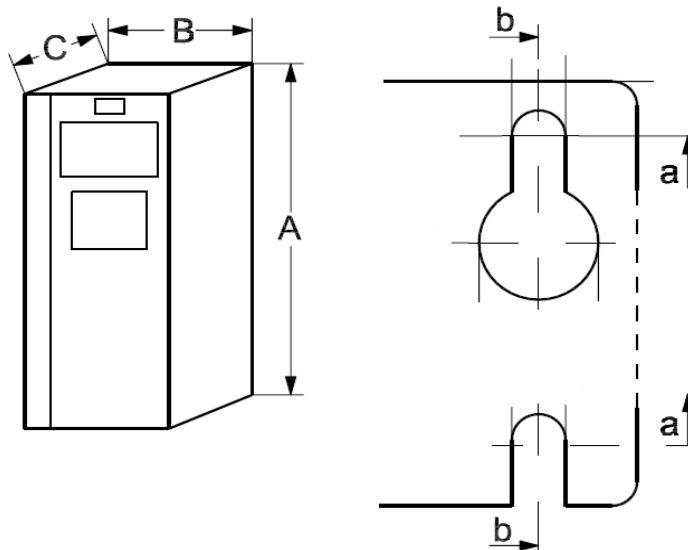
	Articlenr.	Price GBP	Articlenr.	Price GBP
		ST	SW	
IP55 encl. + Graphic Display	131B4221	542	131B7528	645
IP66 encl. + Graphic Display	131B6689	641	131F9197	744

Accessories

LC Filter IP20	130B2406	154
LC Filter IP20	130B2441	185

For all other accessories and options see the general FC 102 accessories/options page

Dimensions		A	B	C	a	b	Weight
IP20 enclosure	(type A2)	268	90	205	257	70	4,8 kg
IP55 enclosure	(type A5)	420	242	195	402	215	13,5 kg
IP66 enclosure	(type A5)	420	242	195	402	215	13,5 kg
Minimal space under and above drive: 100 mm							
Dimensions excl. options							
Max. powerloss (heat dissipation) at full power :					58 Watt		



Danfoss VLT Drives

Configure your drive with our Drive Configurator

0870 241 7100

www.driveconfigurator.com

VLTR® HVAC Drive

FC 102 1,1 kW 3x380-480V

FC102	PKxx	T4	Exx	H	x	x	x	x	x	x	x	SXXXX	Ax	Bx	Cx	Dx	Price GBP
Power (Basic Price)																	
1,1 kW - 3 A	P1K1																343
Enclosure IP 20			E20														0
IP55			E55														85
IP66			E66														185
IP55 encl. with backplate			P55														95
RFI-filter A2				2													0
A1/B1 RFI-filter				1													46
A1/B1 RFI-filter (short motorcables)				3													33
Brakeresistor - none					X												0
Brakechopper					B												31
Safe Stop					T												17
Brakechopper + Safe Stop					U												48
Display - none						X											0
with numeric display						N											30
with graphic display						G											68
Coating - none							X										0
incl. coating							C										73
General Options - none								x									0
service switch								1									103
Communication Options - None													AX				0
Profibus													A0				99
DeviceNet													A4				75
LonWorks													AG				99
BACNet													AJ				80
I/O Options - none														BX			0
Analog I/O														B0			80
Realtime Clock														B1			27
General I/O														BK			64
Relay option														BP			70
D-options - none																DX	0
24Vdc back-up																D0	42

Because of rounding totalprices can differ from the prices on the other side of this page.

Prices valid until: 31/12/2008

VLT® HVAC Drive

FC102-P1K5 3x380-480V

VT 110%; 1,5 kW / 4,1 A

ST Standard version with class 1A/1B RFI-filter

SW ST version + service switch

	Articlenr.	Price GBP
ST		
IP20 encl. - no display	131B7529	454
IP20 encl. + Graphic Display	131B4217	522

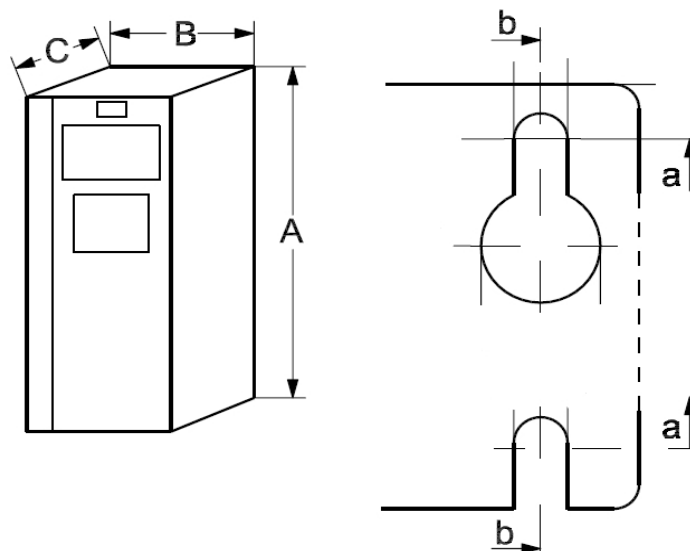
	Articlenr.	Price GBP	Articlenr.	Price GBP
ST		SW		
IP55 encl. + Graphic Display	131B3343	607	131B6688	710
IP66 encl. + Graphic Display	131B7513	710	131H1719	813

Accessories

LC Filter IP20	130B2406	154
LC Filter IP20	130B2441	185

For all other accessories and options see the general FC 102 accessories/options page

Dimensions		A	B	C	a	b	Weight
IP20 enclosure	(type A2)	268	90	205	257	70	4,9 kg
IP55 enclosure	(type A5)	420	242	195	402	215	13,5 kg
IP66 enclosure	(type A5)	420	242	195	402	215	13,5 kg
Minimal space under and above drive: 100 mm							
Dimensions excl. options							
Max. powerloss (heat dissipation) at full power :					62 Watt		



Danfoss VLT Drives

Configure your drive with our Drive Configurator

0870 241 7100

www.driveconfigurator.com

VLT® HVAC Drive

FC 102 1,5 kW 3x380-480V

FC102	PKxx	T4	Exx	H	x	x	x	x	x	x	x	SXXXX	Ax	Bx	Cx	Dx	Price GBP
Power (Basic Price)																	
1,5 kW - 4,1 A	P1K5																403
Enclosure IP 20			E20														0
IP55			E55														85
IP66			E66														185
IP55 encl. with backplate			P55														95
RFI-filter A2				2													0
A1/B1 RFI-filter				1													52
A1/B1 RFI-filter (short motorcables)				3													38
Brakeresistor - none					X												0
Brakechopper					B												38
Safe Stop					T												20
Brakechopper + Safe Stop					U												58
Display - none					X												0
with numeric display					N												30
with graphic display					G												68
Coating - none						X											0
incl. coating						C											73
General Options - none								x									0
service switch								1									103
Communication Options - None													AX				0
Profibus													A0				99
DeviceNet													A4				75
LonWorks													AG				99
BACNet													AJ				80
I/O Options - none														BX			0
Analog I/O														B0			80
Realtime Clock														B1			27
General I/O														BK			64
Relay option														BP			70
D-options - none																DX	0
24Vdc back-up																D0	42

Because of rounding totalprices can differ from the prices on the other side of this page.

Prices valid until: 31/12/2008

VLT® HVAC Drive

FC102-P2K2 3x380-480V

VT 110%; 2,2 kW / 5,6 A

ST Standard version with class 1A/1B RFI-filter

SW ST version + service switch

	Articlenr.	Price GBP
ST		
IP20 encl. - no display	131B7275	563
IP20 encl. + Graphic Display	131B4218	631

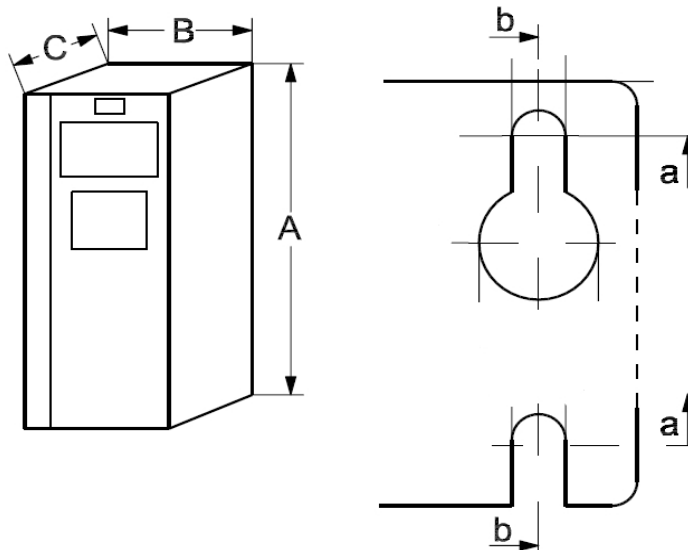
	Articlenr.	Price GBP	Articlenr.	Price GBP
ST		SW		
IP55 encl. + Graphic Display	131B4222	716	131B6655	819
IP66 encl. + Graphic Display	131B8229	815	131F8263	918

Accessories

LC Filter IP20	130B2408	178
LC Filter IP20	130B2443	214

For all other accessories and options see the general FC 102 accessories/options page

Dimensions		A	B	C	a	b	Weight
IP20 enclosure	(type A2)	268	90	205	257	70	4,9 kg
IP55 enclosure	(type A5)	420	242	195	402	215	13,5 kg
IP66 enclosure	(type A5)	420	242	195	402	215	13,5 kg
Minimal space under and above drive: 100 mm							
Dimensions excl. options							
Max. powerloss (heat dissipation) at full power :					88 Watt		



Danfoss VLT Drives

Configure your drive with our Drive Configurator

0870 241 7100

www.driveconfigurator.com

VLT® HVAC Drive

FC 102 2,2 kW 3x380-480V

FC102	PKxx	T4	Exx	H	x	x	x	x	x	x	x	SXXXX	Ax	Bx	Cx	Dx	Price GBP
Power (Basic Price)	↑		↑		↑	↑	↑	↑	↑	↑			↑	↑	↑	↑	
2,2 kW - 5,6 A	P2K2																498
Enclosure IP 20			E20														0
IP55			E55														85
IP66			E66														185
IP55 encl. with backplate			P55														95
RFI-filter A2				2													0
A1/B1 RFI-filter				1													65
A1/B1 RFI-filter (short motorcables)				3													47
Brakeresistor - none					X												0
Brakechopper					B												48
Safe Stop					T												24
Brakechopper + Safe Stop					U												72
Display - none					X												0
with numeric display					N												30
with graphic display					G												68
Coating - none						X											0
incl. coating						C											73
General Options - none								x									0
service switch								1									103
Communication Options - None													AX				0
Profibus													A0				99
DeviceNet													A4				75
LonWorks													AG				99
BACNet													AJ				80
I/O Options - none														BX			0
Analog I/O														B0			80
Realtime Clock														B1			27
General I/O														BK			64
Relay option														BP			70
D-options - none																DX	0
24Vdc back-up																D0	42

Because of rounding totalprices can differ from the prices on the other side of this page.

Prices valid until: 31/12/2008

VLT® HVAC Drive

FC102-P3K0 3x380-480V

VT 110%; 3 kW / 7,2 A

ST Standard version with class 1A/1B RFI-filter

SW ST version + service switch

	Articlenr.	Price GBP
ST		
IP20 encl. - no display	131B7532	634
IP20 encl. + Graphic Display	131B4219	702

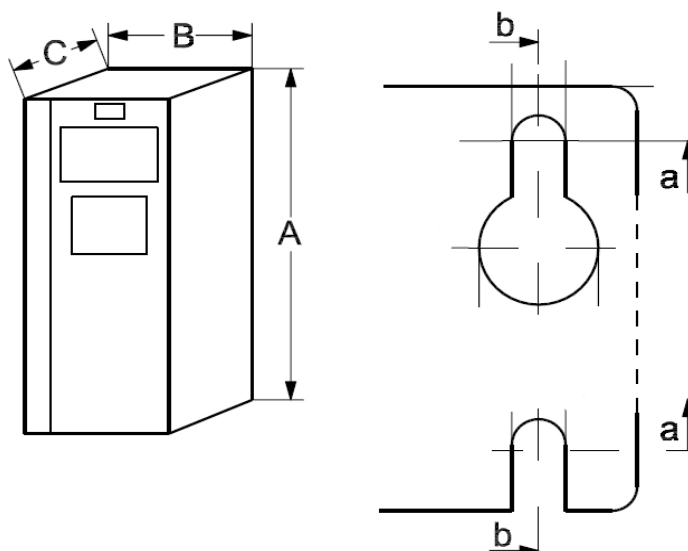
	Articlenr.	Price GBP	Articlenr.	Price GBP
ST		SW		
IP55 encl. + Graphic Display	131B4223	787	131B7534	890
IP66 encl. + Graphic Display	131B8230	887	131H1721	990

Accessories

LC Filter IP20	130B2408	178
LC Filter IP20	130B2443	214

For all other accessories and options see the general FC 102 accessories/options page

Dimensions		A	B	C	a	b	Weight
IP20 enclosure	(type A2)	268	90	205	257	70	4,9 kg
IP55 enclosure	(type A5)	420	242	195	402	215	13,5 kg
IP66 enclosure	(type A5)	420	242	195	402	215	13,5 kg
Minimal space under and above drive: 100 mm							
Dimensions excl. options							
Max. powerloss (heat dissipation) at full power :					116 Watt		



Danfoss VLT Drives

Configure your drive with our Drive Configurator

0870 241 7100

www.driveconfigurator.com

VLT® HVAC Drive

FC 102 3 kW 3x380-480V

FC102	PKxx	T4	Exx	H	x	x	x	x	x	x	x	SXXXX	Ax	Bx	Cx	Dx	Price GBP
Power (Basic Price)																	
3 kW - 7,2 A	P3K0																562
Enclosure IP 20			E20														0
IP55			E55														85
IP66			E66														185
IP55 encl. with backplate			P55														95
RFI-filter A2				2													0
A1/B1 RFI-filter				1													73
A1/B1 RFI-filter (short motorcables)				3													53
Brakeresistor - none					X												0
Brakechopper					B												53
Safe Stop					T												28
Brakechopper + Safe Stop					U												81
Display - none					X												0
with numeric display					N												30
with graphic display					G												68
Coating - none						X											0
incl. coating						C											73
General Options - none							x										0
service switch							1										103
Communication Options - None													AX				0
Profibus													A0				99
DeviceNet													A4				75
LonWorks													AG				99
BACNet													AJ				80
I/O Options - none														BX			0
Analog I/O														B0			80
Realtime Clock														B1			27
General I/O														BK			64
Relay option														BP			70
D-options - none																DX	0
24Vdc back-up																D0	42

Because of rounding totalprices can differ from the prices on the other side of this page.

Prices valid until: 31/12/2008

VLT® HVAC Drive

FC102-P4K0 3x380-480V

VT 110%; 4 kW / 10 A

ST Standard version with class 1A/1B RFI-filter

SW ST version + service switch

	Articlenr.	Price GBP
ST		
IP20 encl. - no display	131B7535	682
IP20 encl. + Graphic Display	131B3489	750

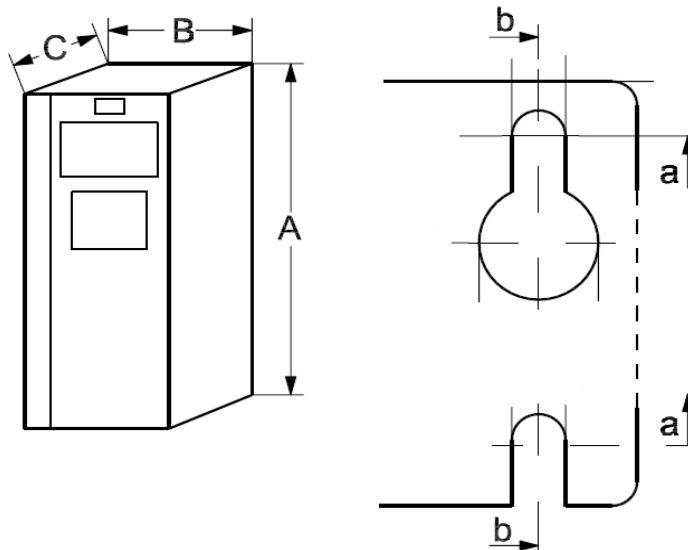
	Articlenr.	Price GBP	Articlenr.	Price GBP
ST			SW	
IP55 encl. + Graphic Display	131B3318	835	131B3341	938
IP66 encl. + Graphic Display	131B7633	934	131H1722	1037

Accessories

LC Filter IP20	130B2409	209
LC Filter IP20	130B2444	250

For all other accessories and options see the general FC 102 accessories/options page

Dimensions		A	B	C	a	b	Weight
IP20 enclosure	(type A2)	268	90	205	257	70	4,9 kg
IP55 enclosure	(type A5)	420	242	195	402	215	13,5 kg
IP66 enclosure	(type A5)	420	242	195	402	215	13,5 kg
Minimal space under and above drive: 100 mm							
Dimensions excl. options							
Max. powerloss (heat dissipation) at full power :					124 Watt		



Danfoss VLT Drives

Configure your drive with our Drive Configurator

0870 241 7100

www.driveconfigurator.com

VLT® HVAC Drive

FC 102 4 kW 3x380-480V

FC102	PKxx	T4	Exx	H	x	x	x	x	x	x	x	SXXXX	Ax	Bx	Cx	Dx	Price GBP
Power (Basic Price)																	
4 kW - 10 A	P4K0																602
Enclosure IP 20			E20														0
IP55			E55														85
IP66			E66														185
IP55 encl. with backplate			P55														95
RFI-filter A2				2													0
A1/B1 RFI-filter				1													80
A1/B1 RFI-filter (short motorcables)				3													58
Brakeresistor - none					X												0
Brakechopper					B												58
Safe Stop					T												30
Brakechopper + Safe Stop					U												87
Display - none						X											0
with numeric display						N											30
with graphic display						G											68
Coating - none							X										0
incl. coating							C										73
General Options - none								x									0
service switch								1									103
Communication Options - None													AX				0
Profibus													A0				99
DeviceNet													A4				75
LonWorks													AG				99
BACNet													AJ				80
I/O Options - none														BX			0
Analog I/O														B0			80
Realtime Clock														B1			27
General I/O														BK			64
Relay option														BP			70
D-options - none																DX	0
24Vdc back-up																D0	42

Because of rounding totalprices can differ from the prices on the other side of this page.

Prices valid until: 31/12/2008

VLT® HVAC Drive

FC102-P5K5 3x380-480V

VT 110%; 5,5 kW / 13 A

ST Standard version with class 1A/1B RFI-filter

SW ST version + service switch

	Articlenr.	Price GBP
ST		
IP20 encl. - no display	131B7537	798
IP20 encl. + Graphic Display	131B4220	866

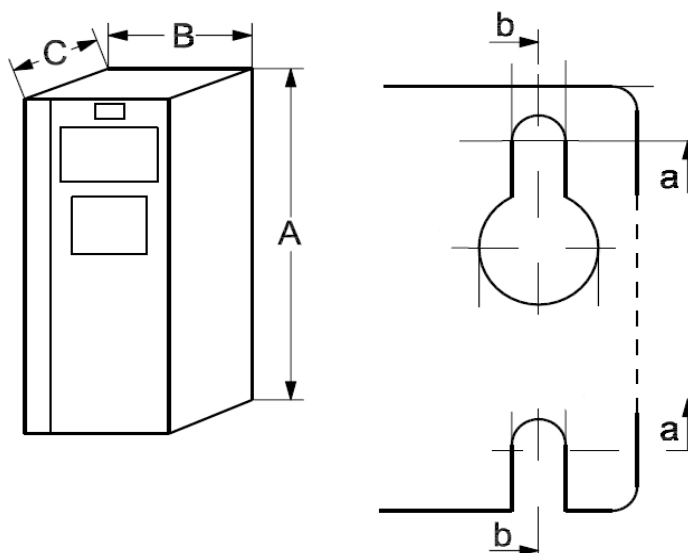
	Articlenr.	Price GBP	Articlenr.	Price GBP
ST		SW		
IP55 encl. + Graphic Display	131B4224	951	131B7545	1054
IP66 encl. + Graphic Display	131B7636	1051	131F8191	1154

Accessories

LC Filter IP20	130B2411	229
LC Filter IP20	130B2446	274

For all other accessories and options see the general FC 102 accessories/options page

Dimensions		A	B	C	a	b	Weight
IP20 enclosure	(type A3)	268	130	205	257	110	6,6 kg
IP55 enclosure	(type A5)	420	242	195	402	215	14,2 kg
IP66 enclosure	(type A5)	420	242	195	402	215	14,2 kg
Minimal space under and above drive: 100 mm							
Dimensions excl. options							
Max. powerloss (heat dissipation) at full power :					187 Watt		



Danfoss VLT Drives

Configure your drive with our Drive Configurator

0870 241 7100

www.driveconfigurator.com

VLT® HVAC Drive

FC 102 5,5 kW 3x380-480V

FC102	PKxx	T4	Exx	H	x	x	x	x	x	x	x	SXXXX	Ax	Bx	Cx	Dx	Price GBP
Power (Basic Price)																	
5,5 kW - 13 A	P5K5																704
Enclosure IP 20			E20														0
IP55			E55														85
IP66			E66														185
IP55 encl. with backplate			P55														95
RFI-filter A2				2													0
A1/B1 RFI-filter				1													94
A1/B1 RFI-filter (short motorcables)				3													69
Brakeresistor - none					X												0
Brakechopper					B												69
Safe Stop					T												35
Brakechopper + Safe Stop					U												103
Display - none					X												0
with numeric display					N												30
with graphic display					G												68
Coating - none						X											0
incl. coating						C											73
General Options - none								x									0
service switch								1									103
Communication Options - None													AX				0
Profibus													A0				99
DeviceNet													A4				75
LonWorks													AG				99
BACNet													AJ				80
I/O Options - none														BX			0
Analog I/O														B0			80
Realtime Clock														B1			27
General I/O														BK			64
Relay option														BP			70
D-options - none																DX	0
24Vdc back-up																D0	42

Because of rounding totalprices can differ from the prices on the other side of this page.

Prices valid until: 31/12/2008

VLT® HVAC Drive

FC102-P7K5 3x380-480V

VT 110%; 7,5 kW / 16 A

ST Standard version with class 1A/1B RFI-filter

SW ST version + service switch

	Articlenr.	Price GBP
ST		
IP20 encl. - no display	131B7546	906
IP20 encl. + Graphic Display	131B3603	974

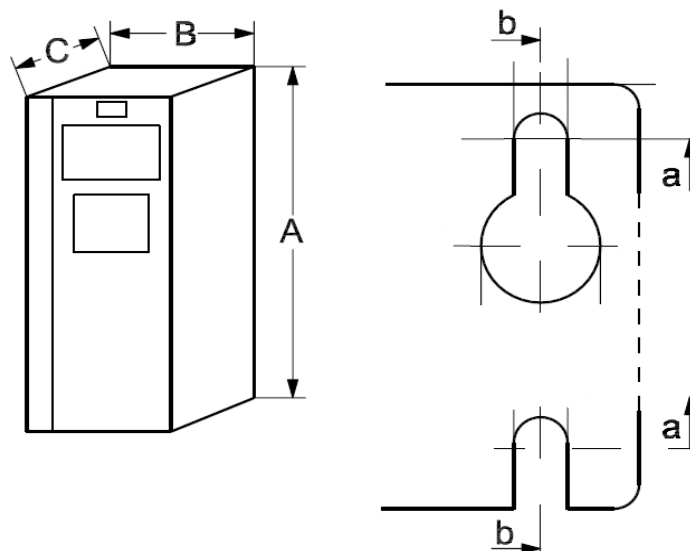
	Articlenr.	Price GBP	Articlenr.	Price GBP
ST		SW		
IP55 encl. + Graphic Display	131B4225	1059	131B7548	1162
IP66 encl. + Graphic Display	131B7613	1158	131H1778	1261

Accessories

LC Filter IP20	130B2411	229
LC Filter IP20	130B2446	274

For all other accessories and options see the general FC 102 accessories/options page

Dimensions		A	B	C	a	b	Weight
IP20 enclosure	(type A3)	268	130	205	257	110	6,6 kg
IP55 enclosure	(type A5)	420	242	195	402	215	14,2 kg
IP66 enclosure	(type A5)	420	242	195	402	215	14,2 kg
Minimal space under and above drive: 100 mm							
Dimensions excl. options							
Max. powerloss (heat dissipation) at full power :					255 Watt		



Danfoss VLT Drives

Configure your drive with our Drive Configurator

0870 241 7100

www.driveconfigurator.com

VLTR® HVAC Drive

FC 102 7,5 kW 3x380-480V

FC102	PKxx	T4	Exx	H	x	x	x	x	x	x	x	SXXXX	Ax	Bx	Cx	Dx	Price GBP
Power (Basic Price)																	
7,5 kW - 16 A	P7K5																796
Enclosure IP 20			E20														0
IP55			E55														85
IP66			E66														185
IP55 encl. with backplate			P55														95
RFI-filter A2				2													0
A1/B1 RFI-filter				1													109
A1/B1 RFI-filter (short motorcables)				3													80
Brakeresistor - none					X												0
Brakechopper					B												80
Safe Stop					T												39
Brakechopper + Safe Stop					U												118
Display - none						X											0
with numeric display						N											30
with graphic display						G											68
Coating - none							X										0
incl. coating							C										73
General Options - none								x									0
service switch								1									103
Communication Options - None													AX				0
Profibus													A0				99
DeviceNet													A4				75
LonWorks													AG				99
BACNet													AJ				80
I/O Options - none														BX			0
Analog I/O														B0			80
Realtime Clock														B1			27
General I/O														BK			64
Relay option														BP			70
D-options - none																DX	0
24Vdc back-up																D0	42

Because of rounding totalprices can differ from the prices on the other side of this page.

Prices valid until: 31/12/2008

VLT® HVAC Drive

FC102-P11K 3x380-480V

VT 110%; 11 kW / 24 A

ST Standard version with class 1A/1B RFI-filter

SW ST version + service switch

	Articlenr.	Price GBP
ST		
IP20 encl. - no display	131F8649	1186
IP20 encl. + Graphic Display	131F0427	1254

	Articlenr.	Price GBP	Articlenr.	Price GBP
		ST	SW	
IP55 encl. + Graphic Display	131B1277	1399	131B3607	1568
IP66 encl. + Graphic Display	131B8102	1491	131H1780	1660

Accessories

LC Filter IP20	130B2412	356
LC Filter IP20	130B2447	427

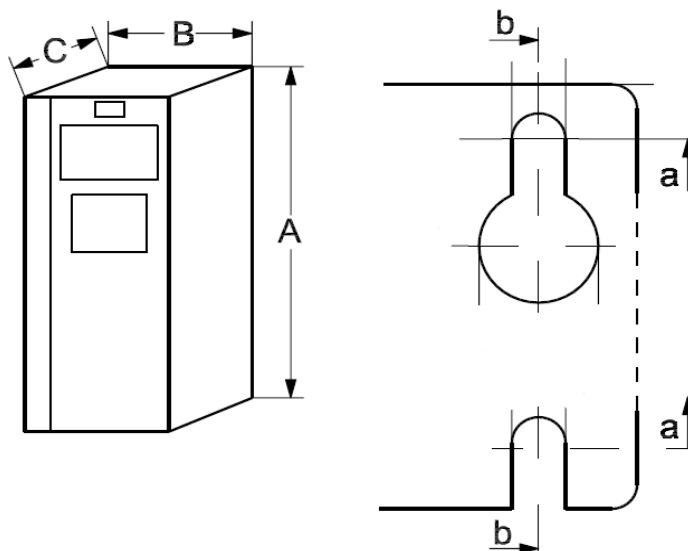
For all other accessories and options see the general FC 102 accessories/options page

Dimensions		A	B	C	a	b	Weight
IP20 enclosure	(type B3)	399	165	249	380	140	12 kg
IP55 enclosure	(type B1)	480	242	260	454	210	23 kg
IP66 enclosure	(type B1)	480	242	260	454	210	23 kg

Minimal space under and above drive: 200 mm

Dimensions excl. options

Max. powerloss (heat dissipation) at full power : 278 Watt



Danfoss VLT Drives

Configure your drive with our Drive Configurator

0870 241 7100

www.driveconfigurator.com

VLT® HVAC Drive

FC 102 11 kW 3x380-480V

FC102	PKxx	T4	Exx	H	x	x	x	x	x	x	x	SXXXX	Ax	Bx	Cx	Dx	Price GBP
Power (Basic Price)																	
11 kW - 24 A	P11K																1035
Enclosure IP 20			E20														0
IP21			E21														93
IP55			E55														145
IP66			E66														238
IP21 encl. with backplate			P21														104
IP55 encl. with backplate			P55														158
RFI-filter A2				2													0
A1/B1 RFI-filter				1													151
A1/B1 RFI-filter (short motorcables)				3													114
Brakeresistor - none					X												0
Brakechopper					B												97
Safe Stop					T												46
Brakechopper + Safe Stop					U												143
Display - none						X											0
with numeric display						N											30
with graphic display						G											68
Coating - none							X										0
incl. coating							C										73
General Options - none								x									0
service switch								1									169
Service switch + Loadsharing								8									238
Loadsharing								D									69
Communication Options - None													AX				0
Profibus													A0				99
DeviceNet													A4				75
LonWorks													AG				99
BACNet													AJ				80
I/O Options - none														BX			0
Analog I/O														B0			80
Realtime Clock														B1			27
General I/O														BK			64
Relay option														BP			70
D-options - none																DX	0
24Vdc back-up																D0	42

Because of rounding totalprices can differ from the prices on the other side of this page.

Prices valid until: 31/12/2008

VLT® HVAC Drive

FC102-P15K 3x380-480V

VT 110%; 15 kW / 32 A

ST Standard version with class 1A/1B RFI-filter

SW ST version + service switch

	Articlenr.	Price GBP
ST		
IP20 encl. - no display	131F7659	1347
IP20 encl. + Graphic Display	131F6631	1415

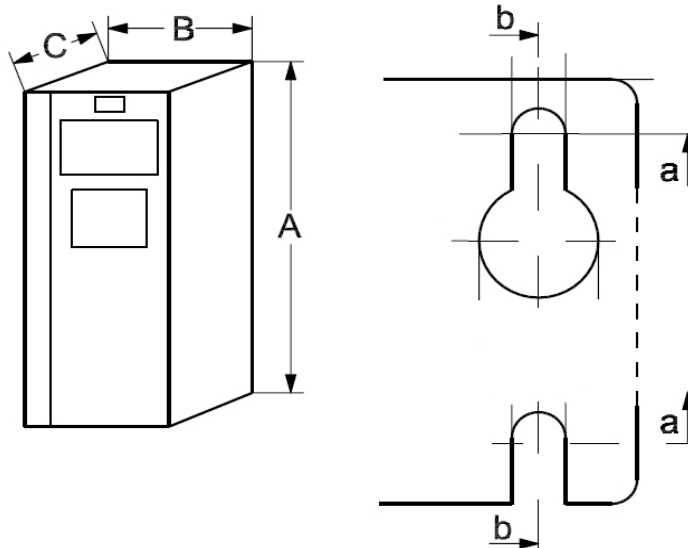
	Articlenr.	Price GBP	Articlenr.	Price GBP
ST		SW		
IP55 encl. + Graphic Display	131B6126	1583	131B7588	1752
IP66 encl. + Graphic Display	131B8173	1694	131H1781	1863

Accessories

LC Filter IP20	130B2413	470
LC Filter IP20	130B2448	600

For all other accessories and options see the general FC 102 accessories/options page

Dimensions		A	B	C	a	b	Weight
IP20 enclosure	(type B3)	399	165	249	380	140	12 kg
IP55 enclosure	(type B1)	480	242	260	454	210	23 kg
IP66 enclosure	(type B1)	480	242	260	454	210	23 kg
Minimal space under and above drive: 200 mm							
Dimensions excl. options							
Max. powerloss (heat dissipation) at full power :						392 Watt	



Danfoss VLT Drives

Configure your drive with our Drive Configurator

0870 241 7100

www.driveconfigurator.com

VLT® HVAC Drive

FC 102 15 kW 3x380-480V

FC102	PKxx	T4	Exx	H	x	x	x	x	x	x	x	SXXXX	Ax	Bx	Cx	Dx	Price GBP
Power (Basic Price)																	
15 kW - 32 A	P15K																1191
Enclosure IP 20			E20														0
IP21			E21														112
IP55			E55														168
IP66			E66														279
IP21 encl. with backplate			P21														123
IP55 encl. with backplate			P55														181
RFI-filter A2				2													0
A1/B1 RFI-filter				1													156
A1/B1 RFI-filter (short motorcables)				3													119
Brakeresistor - none					X												0
Brakechopper					B												108
Safe Stop					T												53
Brakechopper + Safe Stop					U												161
Display - none						X											0
with numeric display						N											30
with graphic display						G											68
Coating - none							X										0
incl. coating							C										73
General Options - none								x									0
service switch								1									169
Service switch + Loadsharing								8									248
Loadsharing								D									79
Communication Options - None													AX				0
Profibus													A0				99
DeviceNet													A4				75
LonWorks													AG				99
BACNet													AJ				80
I/O Options - none															BX		0
Analog I/O															B0		80
Realtime Clock															B1		27
General I/O															BK		64
Relay option															BP		70
D-options - none																DX	0
24Vdc back-up																D0	42

Because of rounding totalprices can differ from the prices on the other side of this page.

Prices valid until: 31/12/2008

VLT® HVAC Drive

FC102-P18K 3x380-480V

VT 110%; 18,5 kW / 37,5 A

ST Standard version with class 1A/1B RFI-filter

SW ST version + service switch

	Articlenr.	Price GBP
ST		
IP20 encl. - no display	131F8652	1692
IP20 encl. + Graphic Display	131F6632	1760

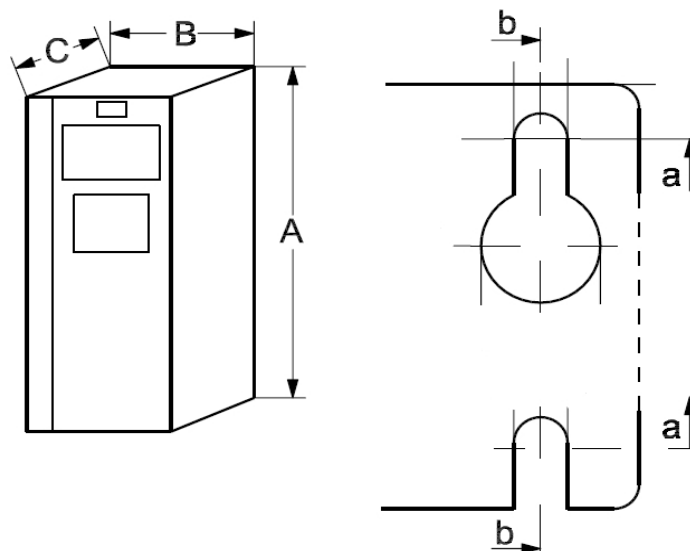
	Articlenr.	Price GBP	Articlenr.	Price GBP
ST			SW	
IP55 encl. + Graphic Display	131B3449	1971	131B9551	2140
IP66 encl. + Graphic Display	131B6981	2112	131F2673	2281

Accessories

LC Filter IP20	130B2413	467
LC Filter IP20	130B2448	596

For all other accessories and options see the general FC 102 accessories/options page

Dimensions		A	B	C	a	b	Weight
IP20 enclosure	(type B3)	399	165	249	380	140	12 kg
IP55 enclosure	(type B1)	480	242	260	454	210	23 kg
IP66 enclosure	(type B1)	480	242	260	454	210	23 kg
Minimal space under and above drive: 200 mm							
Dimensions excl. options							
Max. powerloss (heat dissipation) at full power :					465 Watt		



Danfoss VLT Drives

Configure your drive with our Drive Configurator

0870 241 7100

www.driveconfigurator.com

VLT® HVAC Drive

FC 102 18,5 kW 3x380-480V

FC102	PKxx	T4	Exx	H	x	x	x	x	x	x	x	SXXXX	Ax	Bx	Cx	Dx	Price GBP
Power (Basic Price)																	
18,5 kW - 37,5 A	P18K																1514
Enclosure IP 20			E20														0
IP21			E21														141
IP55			E55														212
IP66			E66														353
IP21 encl. with backplate			P21														152
IP55 encl. with backplate			P55														225
RFI-filter A2				2													0
A1/B1 RFI-filter				1													178
A1/B1 RFI-filter (short motorcables)				3													145
Brakeresistor - none					X												0
Brakechopper					B												137
Safe Stop					T												68
Brakechopper + Safe Stop					U												205
Display - none						X											0
with numeric display						N											30
with graphic display						G											68
Coating - none							X										0
incl. coating							C										73
General Options - none								x									0
service switch								1									169
Service switch + Loadsharing								8									252
Loadsharing								D									83
Communication Options - None													AX				0
Profibus													A0				99
DeviceNet													A4				75
LonWorks													AG				99
BACNet													AJ				80
I/O Options - none														BX			0
Analog I/O														B0			80
Realtime Clock														B1			27
General I/O														BK			64
Relay option														BP			70
D-options - none																DX	0
24Vdc back-up																D0	42

Because of rounding totalprices can differ from the prices on the other side of this page.

Prices valid until: 31/12/2008

VLT® HVAC Drive

FC102-P22K 3x380-480V

VT 110%; 22 kW / 44 A

ST Standard version with class 1A/1B RFI-filter

SW ST version + service switch

	Articlenr.	Price GBP
ST		
IP20 encl. - no display	131F9917	1984
IP20 encl. + Graphic Display	131F6629	2052

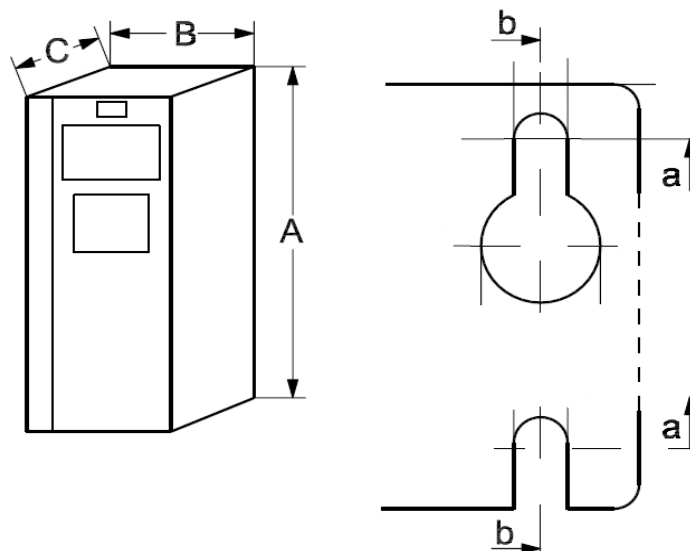
	Articlenr.	Price GBP	Articlenr.	Price GBP
ST			SW	
IP55 encl. + Graphic Display	131B4267	2302	131B6292	2471
IP66 encl. + Graphic Display	131B8231	2469	131H1783	2638

Accessories

LC Filter IP20	130B2281	706
LC Filter IP20	130B2307	1045

For all other accessories and options see the general FC 102 accessories/options page

Dimensions		A	B	C	a	b	Weight
IP20 enclosure	(type B4)	520	230	242	495	200	23,5 kg
IP55 enclosure	(type B2)	650	242	260	624	210	27 kg
IP66 enclosure	(type B2)	650	242	260	624	210	27 kg
Minimal space under and above drive: 200 mm							
Dimensions excl. options							
Max. powerloss (heat dissipation) at full power :					525 Watt		



Danfoss VLT Drives

Configure your drive with our Drive Configurator

0870 241 7100

www.driveconfigurator.com

VLT® HVAC Drive

FC 102 22 kW 3x380-480V

FC102	PKxx	T4	Exx	H	x	x	x	x	x	x	x	SXXXX	Ax	Bx	Cx	Dx	Price GBP
Power (Basic Price)																	
22 kW - 44 A	P22K																1783
Enclosure IP 20			E20														0
IP21			E21														167
IP55			E55														250
IP66			E66														417
IP21 encl. with backplate			P21														178
IP55 encl. with backplate			P55														263
RFI-filter A2				2													0
A1/B1 RFI-filter				1													201
A1/B1 RFI-filter (short motorcables)				3													167
Brakeresistor - none					X												0
Brakechopper					B												156
Safe Stop					T												80
Brakechopper + Safe Stop					U												236
Display - none						X											0
with numeric display						N											30
with graphic display						G											68
Coating - none							X										0
incl. coating							C										73
General Options - none								x									0
service switch								1									169
Service switch + Loadsharing								8									267
Loadsharing								D									98
Communication Options - None													AX				0
Profibus													A0				99
DeviceNet													A4				75
LonWorks													AG				99
BACNet													AJ				80
I/O Options - none														BX			0
Analog I/O														B0			80
Realtime Clock														B1			27
General I/O														BK			64
Relay option														BP			70
D-options - none																DX	0
24Vdc back-up																D0	42

Because of rounding totalprices can differ from the prices on the other side of this page.

Prices valid until: 31/12/2008

VLT® HVAC Drive

FC102-P30K 3x380-480V

VT 110%; 30 kW / 61 A

ST Standard version with class 1A/1B RFI-filter

SW ST version + service switch

	Articlenr.	Price GBP
ST		
IP20 encl. - no display	131F9922	2315
IP20 encl. + Graphic Display	131B5945	2383

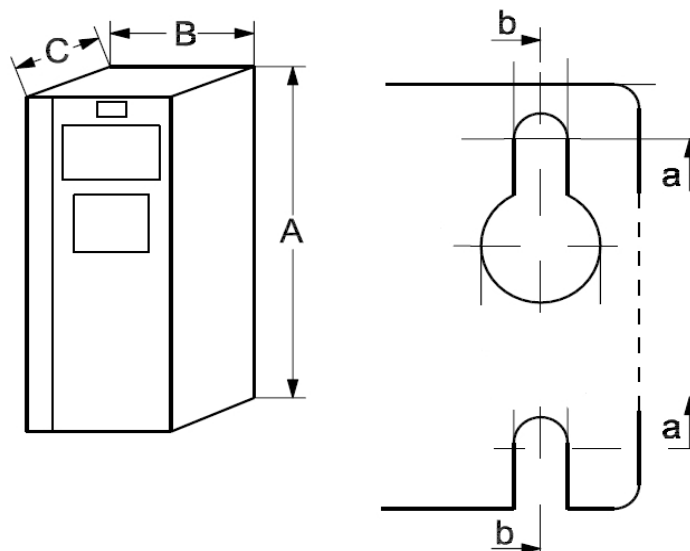
	Articlenr.	Price GBP	Articlenr.	Price GBP
ST			SW	
IP55 encl. + Graphic Display	131B4268	2675	131B5162	2844
IP66 encl. + Graphic Display	131B8015	2869	131F6032	3038

Accessories

LC Filter IP20	130B2282	875
LC Filter IP20	130B2308	1236

For all other accessories and options see the general FC 102 accessories/options page

Dimensions		A	B	C	a	b	Weight
IP20 enclosure	(type B4)	520	230	242	495	200	23,5 kg
IP55 enclosure	(type B2)	650	242	260	624	210	27 kg
IP66 enclosure	(type B2)	650	242	260	624	210	27 kg
Minimal space under and above drive: 200 mm							
Dimensions excl. options							
Max. powerloss (heat dissipation) at full power :					698 Watt		



Danfoss VLT Drives

Configure your drive with our Drive Configurator

0870 241 7100

www.driveconfigurator.com

VLT® HVAC Drive

FC 102 30 kW 3x380-480V

FC102	PKxx	T4	Exx	H	x	x	x	x	x	x	x	SXXXX	Ax	Bx	Cx	Dx	Price GBP
Power (Basic Price)																	
30 kW - 61 A	P30K																2084
Enclosure IP 20			E20														0
IP21			E21														195
IP55			E55														292
IP66			E66														486
IP21 encl. with backplate			P21														206
IP55 encl. with backplate			P55														305
RFI-filter A2				2													0
A1/B1 RFI-filter				1													232
A1/B1 RFI-filter (short motorcables)				3													198
Brakeresistor - none					X												0
Brakechopper					B												176
Safe Stop					T												92
Brakechopper + Safe Stop					U												268
Display - none						X											0
with numeric display						N											30
with graphic display						G											68
Coating - none							X										0
incl. coating							C										73
General Options - none								x									0
service switch								1									169
Service switch + Loadsharing								8									274
Loadsharing								D									105
Communication Options - None													AX				0
Profibus													A0				99
DeviceNet													A4				75
LonWorks													AG				99
BACNet													AJ				80
I/O Options - none														BX			0
Analog I/O														B0			80
Realtime Clock														B1			27
General I/O														BK			64
Relay option														BP			70
D-options - none																DX	0
24Vdc back-up																D0	42

Because of rounding totalprices can differ from the prices on the other side of this page.

Prices valid until: 31/12/2008

VLT® HVAC Drive

FC102-P37K 3x380-480V

VT 110%; 37 kW / 73 A

ST Standard version with class 1A/1B RFI-filter

SW ST version + service switch

	Articlenr.	Price GBP
ST		
IP20 encl. - no display	131F9927	2802
IP20 encl. + Graphic Display	131F6630	2870

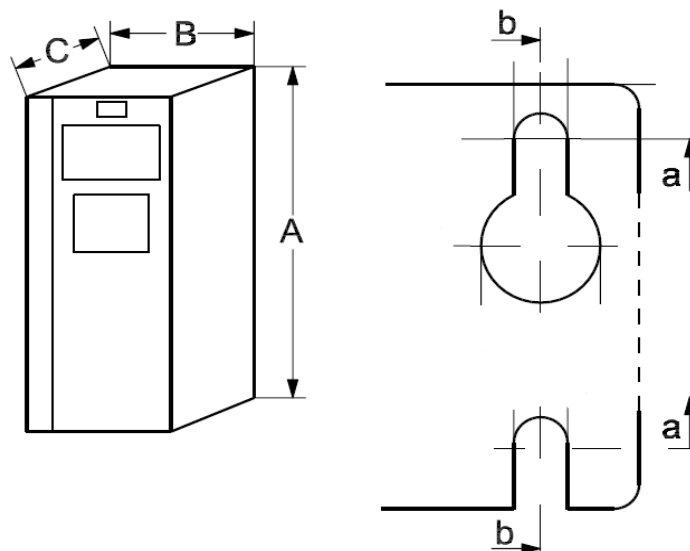
	Articlenr.	Price GBP	Articlenr.	Price GBP
ST		SW		
IP55 encl. + Graphic Display	131B7008	3166	131B7598	3415
IP66 encl. + Graphic Display	131F4795	3403	131H1785	3652

Accessories

LC Filter IP20	130B2283	1070
LC Filter IP20	130B2309	1425

For all other accessories and options see the general FC 102 accessories/options page

Dimensions		A	B	C	a	b	Weight
IP20 enclosure	(type B4)	520	230	242	495	200	23,5 kg
IP55 enclosure	(type C1)	680	308	310	648	272	45 kg
IP66 enclosure	(type C1)	680	308	310	648	272	45 kg
Minimal space under and above drive: 200 mm							
Dimensions excl. options							
Max. powerloss (heat dissipation) at full power :					739 Watt		



Danfoss VLT Drives

Configure your drive with our Drive Configurator

0870 241 7100

www.driveconfigurator.com

VLT® HVAC Drive

FC 102 37 kW 3x380-480V

FC102	PKxx	T4	Exx	H	x	x	x	x	x	x	x	SXXXX	Ax	Bx	Cx	Dx	Price GBP
Power (Basic Price)																	
37 kW - 73 A	P37K																2565
Enclosure IP 20			E20														0
IP21			E21														237
IP55			E55														296
IP66			E66														533
IP21 encl. with backplate			P21														250
IP55 encl. with backplate			P55														313
RFI-filter A2				2													0
A1/B1 RFI-filter				1													238
A1/B1 RFI-filter (short motorcables)				3													208
Brakeresistor - none					X												0
Brakechopper					B												222
Safe Stop					T												114
Brakechopper + Safe Stop					U												336
Display - none						X											0
with numeric display						N											30
with graphic display						G											68
Coating - none							X										0
incl. coating							C										146
General Options - none								x									0
service switch								1									249
Service switch + Loadsharing								8									369
Loadsharing								D									120
Communication Options - None													AX				0
Profibus													A0				99
DeviceNet													A4				75
LonWorks													AG				99
BACNet													AJ				80
I/O Options - none														BX			0
Analog I/O														B0			80
Realtime Clock														B1			27
General I/O														BK			64
Relay option														BP			70
D-options - none																DX	0
24Vdc back-up																D0	42

Because of rounding totalprices can differ from the prices on the other side of this page.

Prices valid until: 31/12/2008

VLT® HVAC Drive

FC102-P45K 3x380-480V

VT 110%; 45 kW / 90 A

ST Standard version with class 1A/1B RFI-filter

SW ST version + service switch

	Articlenr.	Price GBP
ST		
IP20 encl. - no display	131F9932	3434
IP20 encl. + Graphic Display	131F0340	3502

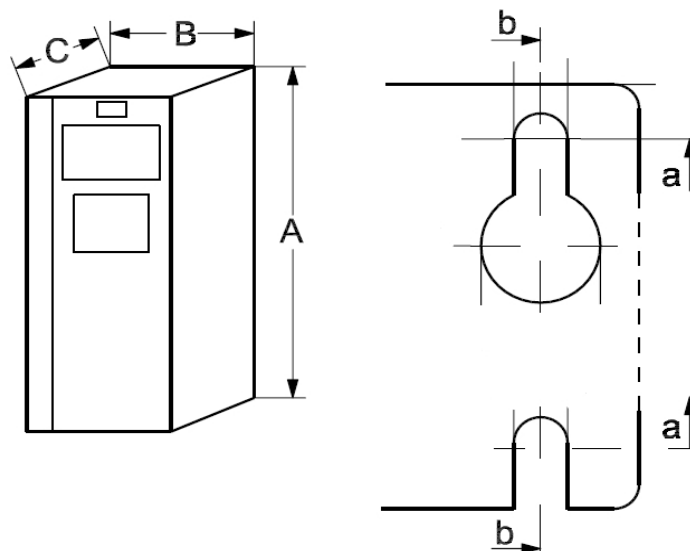
	Articlenr.	Price GBP	Articlenr.	Price GBP
		ST	SW	
IP55 encl. + Graphic Display	131B7015	3866	131B7600	4115
IP66 encl. + Graphic Display	131F1272	4157	131H1786	4406

Accessories

LC Filter IP20	130B2284	1454
LC Filter IP20	130B2310	1938

For all other accessories and options see the general FC 102 accessories/options page

Dimensions		A	B	C	a	b	Weight
IP20 enclosure	(type C3)	550	308	333	521	270	35 kg
IP55 enclosure	(type C1)	680	308	310	648	272	45 kg
IP66 enclosure	(type C1)	680	308	310	648	272	45 kg
Minimal space under and above drive: 200 mm							
Dimensions excl. options							
Max. powerloss (heat dissipation) at full power :						843 Watt	



Danfoss VLT Drives

Configure your drive with our Drive Configurator

0870 241 7100

www.driveconfigurator.com

VLT® HVAC Drive

FC 102 45 kW 3x380-480V

FC102	PKxx	T4	Exx	H	x	x	x	x	x	x	x	x	SXXXX	Ax	Bx	Cx	Dx	Price GBP
Power (Basic Price)																		
45 kW - 90 A	P45K																	3151
Enclosure IP 20			E20															0
IP21			E21															291
IP55			E55															364
IP66			E66															655
IP21 encl. with backplate			P21															305
IP55 encl. with backplate			P55															381
RFI-filter A2				2														0
A1/B1 RFI-filter				1														283
A1/B1 RFI-filter (short motorcables)				3														250
Brakeresistor - none					X													0
Brakechopper					B													273
Safe Stop					T													140
Brakechopper + Safe Stop					U													414
Display - none						X												0
with numeric display						N												30
with graphic display						G												68
Coating - none							X											0
incl. coating							C											146
General Options - none								x										0
service switch								1										249
Service switch + Loadsharing								8										374
Loadsharing								D										125
Communication Options - None														AX				0
Profibus														A0				99
DeviceNet														A4				75
LonWorks														AG				99
BACNet														AJ				80
I/O Options - none															BX			0
Analog I/O															B0			80
Realtime Clock															B1			27
General I/O															BK			64
Relay option															BP			70
D-options - none																	DX	0
24Vdc back-up																	D0	42

Because of rounding totalprices can differ from the prices on the other side of this page.

Prices valid until: 31/12/2008

VLT® HVAC Drive

FC102-P55K 3x380-480V

VT 110%; 55 kW / 106 A

ST Standard version with class 1A/1B RFI-filter

SW ST version + service switch

	Articlenr.	Price GBP
ST		
IP20 encl. - no display	131F9937	4170
IP20 encl. + Graphic Display	131F0341	4238

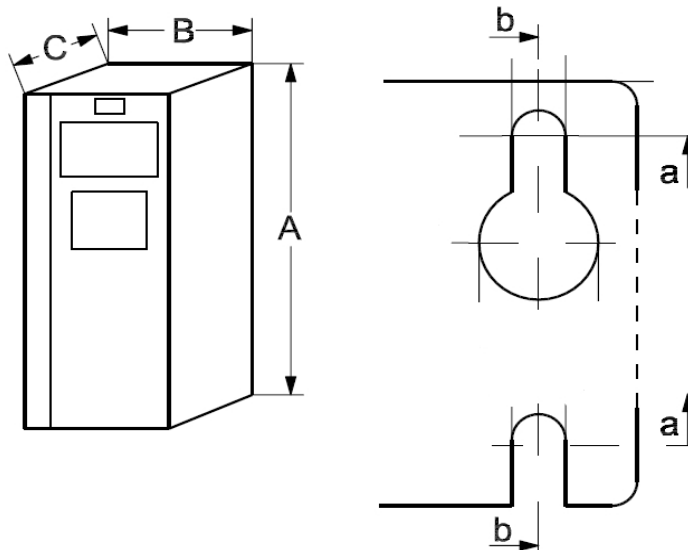
	Articlenr.	Price GBP	Articlenr.	Price GBP
		ST	SW	
IP55 encl. + Graphic Display	131B7025	4674	131B7602	4923
IP66 encl. + Graphic Display	131F5337	5024	131H1788	5273

Accessories

LC Filter IP20	130B2284	1454
LC Filter IP20	130B2310	1938

For all other accessories and options see the general FC 102 accessories/options page

Dimensions		A	B	C	a	b	Weight
IP20 enclosure	(type C3)	550	308	333	521	270	35 kg
IP55 enclosure	(type C1)	680	308	310	648	272	45 kg
IP66 enclosure	(type C1)	680	308	310	648	272	45 kg
Minimal space under and above drive: 200 mm							
Dimensions excl. options							
Max. powerloss (heat dissipation) at full power :					1083 Watt		



Danfoss VLT Drives

Configure your drive with our Drive Configurator

0870 241 7100

www.driveconfigurator.com

VLT® HVAC Drive

FC 102 55 kW 3x380-480V

FC102	PKxx	T4	Exx	H	x	x	x	x	x	x	x	SXXXX	Ax	Bx	Cx	Dx	Price GBP
Power (Basic Price)																	
55 kW - 106 A	P55K																3787
Enclosure IP 20			E20														0
IP21			E21														350
IP55			E55														436
IP66			E66														786
IP21 encl. with backplate			P21														364
IP55 encl. with backplate			P55														453
RFI-filter A2				2													0
A1/B1 RFI-filter				1													383
A1/B1 RFI-filter (short motorcables)				3													341
Brakeresistor - none					X												0
Brakechopper					B												327
Safe Stop					T												169
Brakechopper + Safe Stop					U												496
Display - none						X											0
with numeric display						N											30
with graphic display						G											68
Coating - none							X										0
incl. coating							C										146
General Options - none								x									0
service switch								1									249
Service switch + Loadsharing								8									395
Loadsharing								D									146
Communication Options - None													AX				0
Profibus													A0				99
DeviceNet													A4				75
LonWorks													AG				99
BACNet													AJ				80
I/O Options - none														BX			0
Analog I/O														B0			80
Realtime Clock														B1			27
General I/O														BK			64
Relay option														BP			70
D-options - none																DX	0
24Vdc back-up																D0	42

Because of rounding totalprices can differ from the prices on the other side of this page.

Prices valid until: 31/12/2008

VLT® HVAC Drive

FC102-P75K 3x380-480V

VT 110%; 75 kW / 147 A

ST Standard version with class 1A/1B RFI-filter

SW ST version + service switch

	Articlenr.	Price GBP
ST		
IP20 encl. - no display	131F9942	4817
IP20 encl. + Graphic Display	131F0342	4885

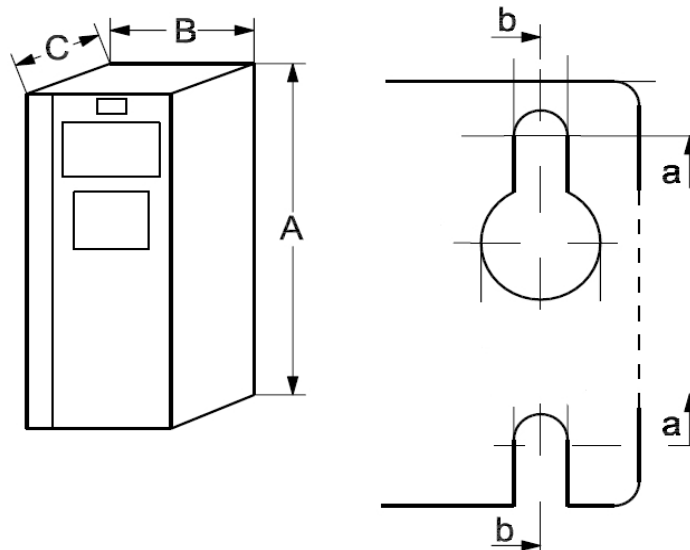
	Articlenr.	Price GBP	Articlenr.	Price GBP
ST		SW		
IP55 encl. + Graphic Display	131B8595	5383	131F0420	5761
IP66 encl. + Graphic Display	131F4041	5780	131H1789	6158

Accessories

LC Filter IP20	130B2285	2097
LC Filter IP20	130B2311	2798

For all other accessories and options see the general FC 102 accessories/options page

Dimensions		A	B	C	a	b	Weight
IP20 enclosure	(type C4)	660	370	333	631	330	50 kg
IP55 enclosure	(type C2)	770	370	335	739	334	65 kg
IP66 enclosure	(type C2)	770	370	335	739	334	65 kg
Minimal space under and above drive: 225 mm							
Dimensions excl. options							
Max. powerloss (heat dissipation) at full power :						1,3 kW	



Danfoss VLT Drives

Configure your drive with our Drive Configurator

0870 241 7100

www.driveconfigurator.com

VLTR HVAC Drive

FC 102 75 kW 3x380-480V

FC102	PKxx	T4	Exx	H	x	x	x	x	x	x	x	SXXXX	Ax	Bx	Cx	Dx	Price GBP
Power (Basic Price)																	
75 kW - 147 A	P75K																4310
Enclosure IP 20			E20														0
IP21			E21														399
IP55			E55														498
IP66			E66														896
IP21 encl. with backplate			P21														413
IP55 encl. with backplate			P55														515
RFI-filter A2				2													0
A1/B1 RFI-filter				1													507
A1/B1 RFI-filter (short motorcables)				3													456
Brakeresistor - none					X												0
Brakechopper					B												373
Safe Stop					T												192
Brakechopper + Safe Stop					U												565
Display - none						X											0
with numeric display						N											30
with graphic display						G											68
Coating - none							X										0
incl. coating							C										146
General Options - none								x									0
service switch								1									378
Loadsharing								D									166
Communication Options - None													AX				0
Profibus													A0				99
DeviceNet													A4				75
LonWorks													AG				99
BACNet													AJ				80
I/O Options - none														BX			0
Analog I/O														B0			80
Realtime Clock														B1			27
General I/O														BK			64
Relay option														BP			70
D-options - none																DX	0
24Vdc back-up																D0	42

Because of rounding totalprices can differ from the prices on the other side of this page.

Prices valid until: 31/12/2008

VLT® HVAC Drive

FC102-P90K 3x380-480V

VT 110%; 90 kW / 177 A

ST Standard version with class 1A/1B RFI-filter

SW ST version + service switch

	Articlenr.	Price GBP
ST		
IP20 encl. - no display	131F9947	5648
IP20 encl. + Graphic Display	131F0343	5716

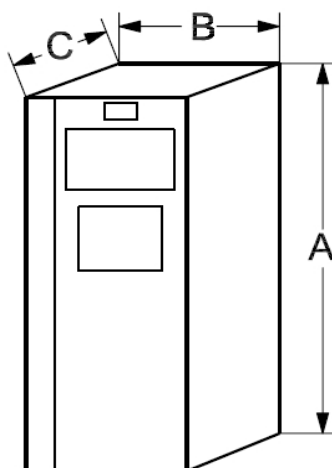
	Articlenr.	Price GBP	Articlenr.	Price GBP
ST		SW		
IP55 encl. + Graphic Display	131B6204	6286	131F7936	6664
IP66 encl. + Graphic Display	131F7721	6744	131H1790	7122

Accessories

LC Filter IP20	130B2285	2097
LC Filter IP20	130B2311	2798

For all other accessories and options see the general FC 102 accessories/options page

Dimensions		A	B	C	a	b	Weight
IP20 enclosure	(type C4)	660	370	333	631	330	50 kg
IP55 enclosure	(type C2)	770	370	335	739	334	65 kg
IP66 enclosure	(type C2)	770	370	335	739	334	65 kg
Minimal space under and above drive: 225 mm							
Dimensions excl. options							
Max. powerloss (heat dissipation) at full power :					1,4 kW		



VLTR[®] HVAC Drive

FC 102 90 kW 3x380-480V

FC102	PKxx	T4	Exx	H	x	x	x	x	x	x	x	x	SXXXX	Ax	Bx	Cx	Dx	Price GBP
Power (Basic Price)																		
90 kW - 177 A	P90K																	5082
Enclosure IP 20			E20															0
IP21			E21															456
IP55			E55															571
IP66			E66															1028
IP21 encl. with backplate			P21															470
IP55 encl. with backplate			P55															587
RFI-filter A2				2														0
A1/B1 RFI-filter				1														567
A1/B1 RFI-filter (short motorcables)				3														516
Brakeresistor - none					X													0
Brakechopper					B													428
Safe Stop					T													228
Brakechopper + Safe Stop					U													656
Display - none						X												0
with numeric display						N												30
with graphic display						G												68
Coating - none							X											0
incl. coating							C											146
General Options - none								x										0
service switch								1										378
Loadsharing								D										191
Communication Options - None													AX					0
Profibus													A0					99
DeviceNet													A4					75
LonWorks													AG					99
BACNet													AJ					80
I/O Options - none														BX				0
Analog I/O														B0				80
Realtime Clock														B1				27
General I/O														BK				64
Relay option														BP				70
D-options - none																	DX	0
24Vdc back-up																	D0	42

Because of rounding totalprices can differ from the prices on the other side of this page.

Prices valid until: 31/12/2008

VLT® HVAC Drive

FC102-P110 3x380-480V

VT 110%; 110 kW / 212 A

ST Standard version with class 1A RFI-filter

SW ST version + service switch + fuses

	Articlenr.	Price GBP
	ST	
IP00 encl. display	131F8539	5952
IP00 encl. + Graphic Display	131B6549	6020
IP21 encl. - no display	131F8541	6414
IP21 encl. + Graphic Display	131B6928	6482

	Articlenr.	Price GBP	Articlenr.	Price GBP
	ST		SW	
IP54 encl. + Graphic Display	131B6930	6769	131H1791	7226

Accessories

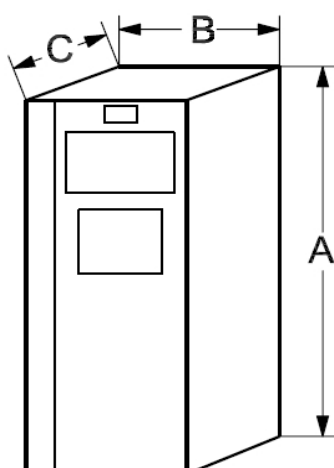
LC Filter IP20	130B2286	2535
LC Filter IP20	130B2312	3380

For all other accessories and options see the general FC 102 accessories/options page

Dimensions		A	B	C	Weight
IP00 enclosure	(type D3)	997	408	373	81,9 kg
IP21 enclosure	(type D1)	1159	420	373	95,5 kg
IP54 enclosure	(type D1)	1159	420	373	95,5 kg

Dimensions excl. options

Max. powerloss (heat dissipation) at full power :	3,2 kW
---	--------



Danfoss VLT Drives

Configure your drive with our Drive Configurator

0870 241 7100

www.driveconfigurator.com

VLT® HVAC Drive

FC 102 110 kW 3x380-480V

FC102	PKxx	T4	Exx	H	x	x	x	x	x	x	x	x	SXXXX	Ax	Bx	Cx	Dx	Price GBP
Power (Basic Price)																		
110 kW - 212 A	P110																	5224
Enclosure IP 00			E00															0
IP21			E21															461
IP54			E54															750
IP21 encl. with extra shield			E2M															610
IP54 encl. with extra shield			E5M															899
RFI-filter A2				2														0
A1 RFI filter				4														729
Brakeresistor - none					X													0
Brakechopper					B													479
Safe Stop					T													254
Brakechopper + Safe Stop					U													734
Display - none					X													0
with numeric display					N													30
with graphic display					G													68
Coating - none						X												0
incl. coating						C												243
General Options - none								x										0
Service switch + Fuses								3										457
Service switch + Fuses + Loadsh.								5										671
Fuses								7										180
Fuses + Loadsharing								A										394
Loadsharing								D										214
Communication Options - None													AX					0
Profibus													A0					99
DeviceNet													A4					75
LonWorks													AG					99
BACNet													AJ					80
I/O Options - none															BX			0
Analog I/O															B0			80
Realtime Clock															B1			27
General I/O															BK			64
Relay option															BP			70
D-options - none																	DX	0
24Vdc back-up																	D0	42

Because of rounding totalprices can differ from the prices on the other side of this page.

Prices valid until: 31/12/2008

VLT® HVAC Drive

FC102-P132 3x380-480V

VT 110%; 132 kW / 260 A

ST Standard version with class 1A RFI-filter

SW ST version + service switch + fuses

	Articlenr.	Price GBP
	ST	
IP00 encl. display	131F8542	7202
IP00 encl. + Graphic Display	131B6932	7270
IP21 encl. - no display	131F8544	7759
IP21 encl. + Graphic Display	131B6934	7827

	Articlenr.	Price GBP	Articlenr.	Price GBP
	ST		SW	
IP54 encl. + Graphic Display	131B6936	8176	131H1817	8633

Accessories

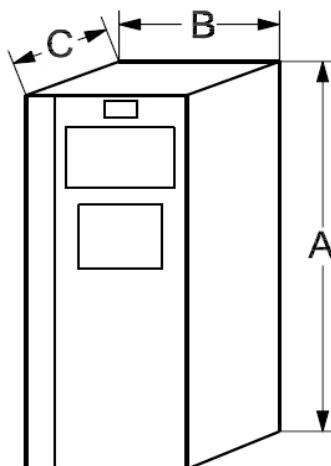
LC Filter IP20	130B2286	2535
LC Filter IP20	130B2312	3380

For all other accessories and options see the general FC 102 accessories/options page

Dimensions		A	B	C	Weight
IP00 enclosure	(type D3)	997	408	373	90,5 kg
IP21 enclosure	(type D1)	1159	420	373	104,1 kg
IP54 enclosure	(type D1)	1159	420	373	104,1 kg

Dimensions excl. options

Max. powerloss (heat dissipation) at full power : 3,7 kW



Danfoss VLT Drives

Configure your drive with our Drive Configurator

0870 241 7100

www.driveconfigurator.com

VLT® HVAC Drive

FC 102 132 kW 3x380-480V

FC102	PKxx	T4	Exx	H	x	x	x	x	x	x	x	x	SXXXX	Ax	Bx	Cx	Dx	Price GBP
Power (Basic Price)																		
132 kW - 260 A	P132																	6321
Enclosure IP 00			E00															0
IP21			E21															558
IP54			E54															907
IP21 encl. with extra shield			E2M															707
IP54 encl. with extra shield			E5M															1056
RFI-filter A2				2														0
A1 RFI filter				4														881
Brakeresistor - none					X													0
Brakechopper					B													579
Safe Stop					T													308
Brakechopper + Safe Stop					U													887
Display - none					X													0
with numeric display					N													30
with graphic display					G													68
Coating - none						X												0
incl. coating						C												243
General Options - none							x											0
Service switch + Fuses							3											457
Service switch + Fuses + Loadsh.							5											716
Fuses							7											180
Fuses + Loadsharing							A											438
Loadsharing							D											258
Communication Options - None													AX					0
Profibus													A0					99
DeviceNet													A4					75
LonWorks													AG					99
BACNet													AJ					80
I/O Options - none														BX				0
Analog I/O														B0				80
Realtime Clock														B1				27
General I/O														BK				64
Relay option														BP				70
D-options - none																DX		0
24Vdc back-up																D0		42

Because of rounding totalprices can differ from the prices on the other side of this page.

Prices valid until: 31/12/2008

VLT® HVAC Drive

FC102-P160 3x380-480V

VT 110%; 160 kW / 315 A

ST Standard version with class 1A RFI-filter

SW ST version + service switch + fuses

	Articlenr.	Price GBP
	ST	
IP00 encl. display	131F8545	8810
IP00 encl. + Graphic Display	131B6938	8878
IP21 encl. - no display	131F8547	9493
IP21 encl. + Graphic Display	131B6940	9561

	Articlenr.	Price GBP	Articlenr.	Price GBP
	ST		SW	
IP54 encl. + Graphic Display	131B6942	9988	131F9676	10929

Accessories

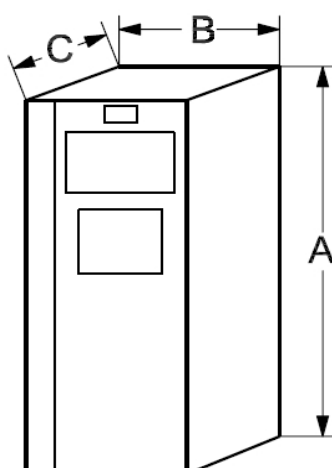
LC Filter IP20	130B2287	3777
LC Filter IP20	130B2313	4533

For all other accessories and options see the general FC 102 accessories/options page

Dimensions		A	B	C	Weight
IP00 enclosure	(type D4)	1277	408	373	111,8 kg
IP21 enclosure	(type D2)	1540	420	373	125,4 kg
IP54 enclosure	(type D2)	1540	420	373	125,4 kg

Dimensions excl. options

Max. powerloss (heat dissipation) at full power :	4,2 kW
---	--------



Danfoss VLT Drives

Configure your drive with our Drive Configurator

0870 241 7100

www.driveconfigurator.com

VLT® HVAC Drive

FC 102 160 kW 3x380-480V

FC102	PKxx	T4	Exx	H	x	x	x	x	x	x	x	x	SXXXX	Ax	Bx	Cx	Dx	Price GBP
Power (Basic Price)																		
160 kW - 315 A	P160																	7732
Enclosure IP 00			E00															0
IP21			E21															683
IP54			E54															1110
IP21 encl. with extra shield			E2M															832
IP54 encl. with extra shield			E5M															1259
RFI-filter A2				2														0
A1 RFI filter				4														1079
Brakeresistor - none					X													0
Brakechopper					B													709
Safe Stop					T													377
Brakechopper + Safe Stop					U													1085
Display - none					X													0
with numeric display					N													30
with graphic display					G													68
Coating - none						X												0
incl. coating						C												243
General Options - none								x										0
Service switch + Fuses								3										941
Service switch + Fuses + Loadsh.								5										1257
Fuses								7										286
Fuses + Loadsharing								A										602
Loadsharing								D										316
Communication Options - None													AX					0
Profibus													A0					99
DeviceNet													A4					75
LonWorks													AG					99
BACNet													AJ					80
I/O Options - none														BX				0
Analog I/O														B0				80
Realtime Clock														B1				27
General I/O														BK				64
Relay option														BP				70
D-options - none																DX		0
24Vdc back-up																D0		42

Because of rounding totalprices can differ from the prices on the other side of this page.

Prices valid until: 31/12/2008

VLT® HVAC Drive

FC102-P200 3x380-480V

VT 110%; 200 kW / 395 A

ST Standard version with class 1A RFI-filter

SW ST version + service switch + fuses

	Articlenr.	Price GBP
ST		
IP00 encl. display	131F8548	10534
IP00 encl. + Graphic Display	131B6944	10602
IP21 encl. - no display	131F8550	11351
IP21 encl. + Graphic Display	131B6946	11419

	Articlenr.	Price GBP	Articlenr.	Price GBP
		ST	SW	
IP54 encl. + Graphic Display	131B6948	11928	131H1023	12869

Accessories

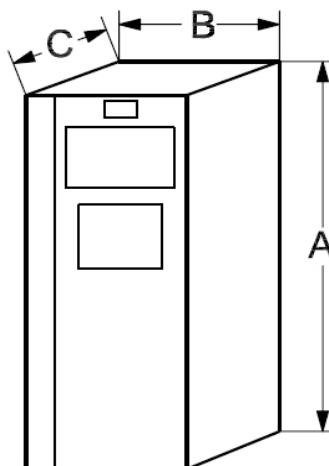
LC Filter IP20	130B2287	3777
LC Filter IP20	130B2313	4533

For all other accessories and options see the general FC 102 accessories/options page

Dimensions		A	B	C	Weight
IP00 enclosure	(type D4)	1277	408	373	122,9 kg
IP21 enclosure	(type D2)	1540	420	373	136,3 kg
IP54 enclosure	(type D2)	1540	420	373	136,3 kg

Dimensions excl. options

Max. powerloss (heat dissipation) at full power : 5,1 kW



Danfoss VLT Drives

Configure your drive with our Drive Configurator

0870 241 7100

www.driveconfigurator.com

VLT® HVAC Drive

FC 102 200 kW 3x380-480V

FC102	PKxx	T4	Exx	H	x	x	x	x	x	x	x	x	SXXXX	Ax	Bx	Cx	Dx	Price GBP
Power (Basic Price)																		
200 kW - 395 A	P200																	9245
Enclosure IP 00			E00															0
IP21			E21															817
IP54			E54															1327
IP21 encl. with extra shield			E2M															966
IP54 encl. with extra shield			E5M															1476
RFI-filter A2				2														0
A1 RFI filter				4														1289
Brakeresistor - none					X													0
Brakechopper					B													847
Safe Stop					T													451
Brakechopper + Safe Stop					U													1298
Display - none					X													0
with numeric display					N													30
with graphic display					G													68
Coating - none						X												0
incl. coating						C												243
General Options - none								x										0
Service switch + Fuses								3										941
Service switch + Fuses + Loadsh.								5										1319
Fuses								7										286
Fuses + Loadsharing								A										664
Loadsharing								D										378
Communication Options - None													AX					0
Profibus													A0					99
DeviceNet													A4					75
LonWorks													AG					99
BACNet													AJ					80
I/O Options - none															BX			0
Analog I/O															B0			80
Realtime Clock															B1			27
General I/O															BK			64
Relay option															BP			70
D-options - none																	DX	0
24Vdc back-up																	D0	42

Because of rounding totalprices can differ from the prices on the other side of this page.

Prices valid until: 31/12/2008

VLT® HVAC Drive

FC102-P250 3x380-480V

VT 110%; 250 kW / 480 A

ST Standard version with class 1A RFI-filter

SW ST version + service switch + fuses

	Articlenr.	Price GBP
	ST	
IP00 encl. display	131F8551	13408
IP00 encl. + Graphic Display	131B6950	13476
IP21 encl. - no display	131F8553	14383
IP21 encl. + Graphic Display	131B6952	14451

	Articlenr.	Price GBP	Articlenr.	Price GBP
	ST		SW	
IP54 encl. + Graphic Display	131B6954	15060	131H1821	16001

Accessories

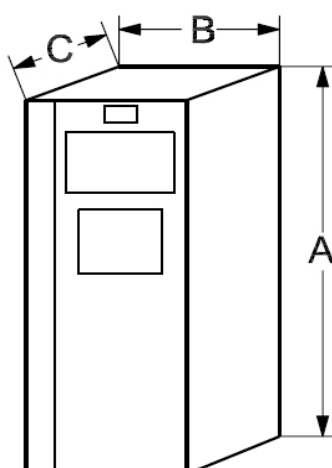
LC Filter IP20	130B2288	4543
LC Filter IP20	130B2314	5451

For all other accessories and options see the general FC 102 accessories/options page

Dimensions		A	B	C	Weight
IP00 enclosure	(type D4)	1277	408	373	137,7 kg
IP21 enclosure	(type D2)	1540	420	373	151,3 kg
IP54 enclosure	(type D2)	1540	420	373	151,3 kg

Dimensions excl. options

Max. powerloss (heat dissipation) at full power :	5,8 kW
---	--------



Danfoss VLT Drives

Configure your drive with our Drive Configurator

0870 241 7100

www.driveconfigurator.com

VLT® HVAC Drive

FC 102 250 kW 3x380-480V

FC102	PKxx	T4	Exx	H	x	x	x	x	x	x	x	x	SXXXX	Ax	Bx	Cx	Dx	Price GBP
Power (Basic Price)																		
250 kW - 480 A	P250																	11869
Enclosure IP 00			E00															0
IP21			E21															975
IP54			E54															1584
IP21 encl. with extra shield			E2M															1124
IP54 encl. with extra shield			E5M															1734
RFI-filter A2				2														0
A1 RFI filter				4														1539
Brakeresistor - none					X													0
Brakechopper					B													1012
Safe Stop					T													579
Brakechopper + Safe Stop					U													1590
Display - none					X													0
with numeric display					N													30
with graphic display					G													68
Coating - none					X													0
incl. coating					C													243
General Options - none								x										0
Service switch + Fuses								3										941
Service switch + Fuses + Loadsh.								5										1393
Fuses								7										286
Fuses + Loadsharing								A										738
Loadsharing								D										451
Communication Options - None													AX					0
Profibus													A0					99
DeviceNet													A4					75
LonWorks													AG					99
BACNet													AJ					80
I/O Options - none														BX				0
Analog I/O														B0				80
Realtime Clock														B1				27
General I/O														BK				64
Relay option														BP				70
D-options - none																DX		0
24Vdc back-up																D0		42

Because of rounding totalprices can differ from the prices on the other side of this page.

Prices valid until: 31/12/2008

VLT® HVAC Drive

FC102-P315 3x380-480V

VT 110%; 315 kW / 600 A

ST Standard version with class 1A RFI-filter

SW ST version + service switch + fuses

	Articlenr.	Price GBP
	ST	
IP00 encl. + Graphic Display	131B6956	16226
IP21 encl. + Graphic Display	131B6958	17401

	Articlenr.	Price GBP	Articlenr.	Price GBP
	ST		SW	
IP54 encl. + Graphic Display	131B6960	18134	131H1826	20512

Accessories

LC Filter IP20	130B2289	5859
LC Filter IP20	130B2315	7031

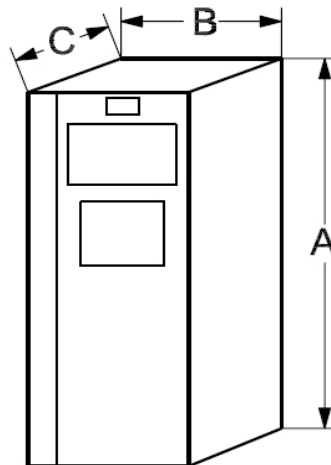
For all other accessories and options see the general FC 102 accessories/options page

Dimensions		A	B	C	Weight
IP00 enclosure	(type E2)	1499	585	494	221,4 kg
IP21 enclosure	(type E1)	2000	600	494	263,2 kg
IP54 enclosure	(type E1)	2000	600	494	263,2 kg

Dimensions excl. options

Max. powerloss (heat dissipation) at full power :

7,6 kW



Danfoss VLT Drives

Configure your drive with our Drive Configurator

0870 241 7100

www.driveconfigurator.com

VLT® HVAC Drive

FC 102 315 kW 3x380-480V

FC102	PKxx	T4	Exx	H	x	x	x	x	x	x	x	x	SXXXX	Ax	Bx	Cx	Dx	Price GBP
Power (Basic Price)																		
315 kW - 600 A	P315																	14296
Enclosure IP 00			E00															0
IP21			E21															1175
IP54			E54															1909
IP21 encl. with extra shield			E2M															1573
IP54 encl. with extra shield			E5M															2306
RFI-filter A2				2														0
A1 RFI filter				4														1862
Brakeresistor - none					X													0
Brakechopper					B													1219
Safe Stop					T													698
Brakechopper + Safe Stop					U													1917
Display - none					X													0
with numeric display					N													30
with graphic display					G													68
Coating - none						X												0
incl. coating						C												0
General Options - none							x											0
Service switch + Fuses							3											2378
Service switch + Fuses + Loadsh.							5											2921
Fuses							7											463
Fuses + Loadsharing							A											1007
Loadsharing							D											544
Communication Options - None													AX					0
Profibus													A0					99
DeviceNet													A4					75
LonWorks													AG					99
BACNet													AJ					80
I/O Options - none														BX				0
Analog I/O														B0				80
Realtime Clock														B1				27
General I/O														BK				64
Relay option														BP				70
D-options - none																	DX	0
24Vdc back-up																	D0	42

Because of rounding totalprices can differ from the prices on the other side of this page.

Prices valid until: 31/12/2008

VLT® HVAC Drive

FC102-P355 3x380-480V

VT 110%; 355 kW / 658 A

ST Standard version with class 1A RFI-filter

SW ST version + service switch + fuses

	Articlenr.	Price GBP
	ST	
IP00 encl. + Graphic Display	131B6962	19144
IP21 encl. + Graphic Display	131B6964	20531

	Articlenr.	Price GBP	Articlenr.	Price GBP
	ST		SW	
IP54 encl. + Graphic Display	131B6966	21398	131H1827	23776

Accessories

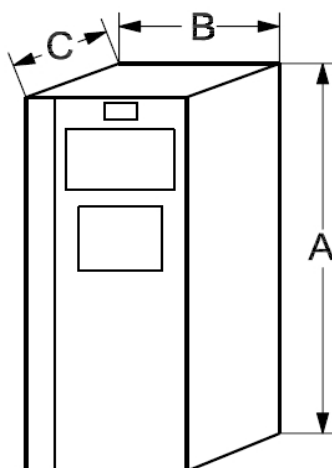
LC Filter IP20	130B2289	5859
LC Filter IP20	130B2315	7031

For all other accessories and options see the general FC 102 accessories/options page

Dimensions		A	B	C	Weight
IP00 enclosure	(type E2)	1499	585	494	234,1 kg
IP21 enclosure	(type E1)	2000	600	494	270 kg
IP54 enclosure	(type E1)	2000	600	494	270 kg

Dimensions excl. options

Max. powerloss (heat dissipation) at full power : 7,7 kW



Danfoss VLT Drives

Configure your drive with our Drive Configurator

0870 241 7100

www.driveconfigurator.com

VLT® HVAC Drive

FC 102 355 kW 3x380-480V

FC102	PKxx	T4	Exx	H	x	x	x	x	x	x	x	x	SXXXX	Ax	Bx	Cx	Dx	Price GBP
Power (Basic Price)																		
355 kW - 658 A	P355																	16880
Enclosure IP 00			E00															0
IP21			E21															1387
IP54			E54															2253
IP21 encl. with extra shield			E2M															1784
IP54 encl. with extra shield			E5M															2651
RFI-filter A2				2														0
A1 RFI filter				4														2197
Brakeresistor - none					X													0
Brakechopper					B													1439
Safe Stop					T													823
Brakechopper + Safe Stop					U													2262
Display - none					X													0
with numeric display					N													30
with graphic display					G													68
Coating - none						X												0
incl. coating						C												0
General Options - none								x										0
Service switch + Fuses								3										2378
Service switch + Fuses + Loadsh.								5										3019
Fuses								7										463
Fuses + Loadsharing								A										1104
Loadsharing								D										641
Communication Options - None													AX					0
Profibus													A0					99
DeviceNet													A4					75
LonWorks													AG					99
BACNet													AJ					80
I/O Options - none														BX				0
Analog I/O														B0				80
Realtime Clock														B1				27
General I/O														BK				64
Relay option														BP				70
D-options - none																DX		0
24Vdc back-up																D0		42

Because of rounding totalprices can differ from the prices on the other side of this page.

Prices valid until: 31/12/2008

VLT® HVAC Drive

FC102-P400 3x380-480V

VT 110%; 400 kW / 745 A

ST Standard version with class 1A RFI-filter

SW ST version + service switch + fuses

	Articlenr.	Price GBP
	ST	
IP00 encl. + Graphic Display	131B6968	21660
IP21 encl. + Graphic Display	131B6970	23230

	Articlenr.	Price GBP	Articlenr.	Price GBP
	ST		SW	
IP54 encl. + Graphic Display	131B6972	24210	131H1836	26588

Accessories

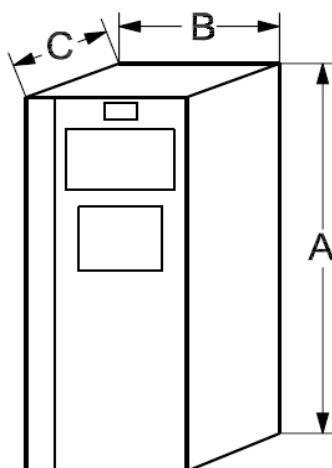
LC Filter IP20	130B2290	7058
LC Filter IP20	130B2316	8469

For all other accessories and options see the general FC 102 accessories/options page

Dimensions		A	B	C	Weight
IP00 enclosure	(type E2)	1499	585	494	236,4 kg
IP21 enclosure	(type E1)	2000	600	494	272,3 kg
IP54 enclosure	(type E1)	2000	600	494	272,3 kg

Dimensions excl. options

Max. powerloss (heat dissipation) at full power : 8,8 kW



Danfoss VLT Drives

Configure your drive with our Drive Configurator

0870 241 7100

www.driveconfigurator.com

VLT® HVAC Drive

FC 102 400 kW 3x380-480V

FC102	PKxx	T4	Exx	H	x	x	x	x	x	x	x	x	SXXXX	Ax	Bx	Cx	Dx	Price GBP
Power (Basic Price)																		
400 kW - 745 A	P400																	19098
Enclosure IP 00			E00															0
IP21			E21															1570
IP54			E54															2550
IP21 encl. with extra shield			E2M															1967
IP54 encl. with extra shield			E5M															2947
RFI-filter A2				2														0
A1 RFI filter				4														2494
Brakeresistor - none					X													0
Brakechopper					B													1628
Safe Stop					T													931
Brakechopper + Safe Stop					U													2560
Display - none					X													0
with numeric display					N													30
with graphic display					G													68
Coating - none						X												0
incl. coating						C												0
General Options - none								x										0
Service switch + Fuses								3										2378
Service switch + Fuses + Loadsh.								5										3103
Fuses								7										463
Fuses + Loadsharing								A										1189
Loadsharing								D										726
Communication Options - None													AX					0
Profibus													A0					99
DeviceNet													A4					75
LonWorks													AG					99
BACNet													AJ					80
I/O Options - none														BX				0
Analog I/O														B0				80
Realtime Clock														B1				27
General I/O														BK				64
Relay option														BP				70
D-options - none																DX		0
24Vdc back-up																D0		42

Because of rounding totalprices can differ from the prices on the other side of this page.

Prices valid until: 31/12/2008

VLT® HVAC Drive

FC102-P450 3x380-480V

VT 110%; 450 kW / 800 A

ST Standard version with class 1A RFI-filter

SW ST version + service switch + fuses

	Articlenr.	Price GBP
	ST	
IP00 encl. + Graphic Display	131B7430	25643
IP21 encl. + Graphic Display	131B7432	27510

	Articlenr.	Price GBP	Articlenr.	Price GBP
	ST		SW	
IP54 encl. + Graphic Display	131B7434	28676	131F9863	31054

Accessories

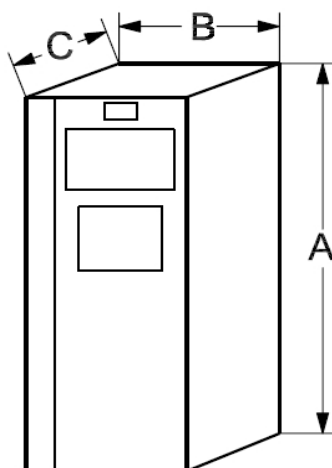
LC Filter IP20	130B2291	1045
LC Filter IP20	130B2317	11857

For all other accessories and options see the general FC 102 accessories/options page

Dimensions		A	B	C	Weight
IP00 enclosure	(type E2)	1499	585	494	277,3 kg
IP21 enclosure	(type E1)	2000	600	494	313,2 kg
IP54 enclosure	(type E1)	2000	600	494	313,2 kg

Dimensions excl. options

Max. powerloss (heat dissipation) at full power : 9,4 kW



Danfoss VLT Drives

Configure your drive with our Drive Configurator

0870 241 7100

www.driveconfigurator.com

VLT® HVAC Drive

FC 102 450 kW 3x380-480V

FC102	PKxx	T4	Exx	H	x	x	x	x	x	x	x	x	SXXXX	Ax	Bx	Cx	Dx	Price GBP
Power (Basic Price)																		
450 kW - 800 A	P450																	22713
Enclosure IP 00			E00															0
IP21			E21															1867
IP54			E54															3033
IP21 encl. with extra shield			E2M															2264
IP54 encl. with extra shield			E5M															3430
RFI-filter A2				2														0
A1 RFI filter				4														2863
Brakeresistor - none					X													0
Brakechopper					B													1936
Safe Stop					T													1108
Brakechopper + Safe Stop					U													3045
Display - none					X													0
with numeric display					N													30
with graphic display					G													68
Coating - none						X												0
incl. coating						C												0
General Options - none							x											0
Service switch + Fuses							3											2378
Service switch + Fuses + Loadsh.							5											3241
Fuses							7											463
Fuses + Loadsharing							A											1326
Loadsharing							D											863
Communication Options - None													AX					0
Profibus													A0					99
DeviceNet													A4					75
LonWorks													AG					99
BACNet													AJ					80
I/O Options - none														BX				0
Analog I/O														B0				80
Realtime Clock														B1				27
General I/O														BK				64
Relay option														BP				70
D-options - none																DX		0
24Vdc back-up																D0		42

Because of rounding totalprices can differ from the prices on the other side of this page.

Prices valid until: 31/12/2008

VLT® HVAC Drive

General Options for the VLT HVAC Drive

Description	Model	Code	Articlenr.	Price GBP
Fieldbus options				
Profibus	MCA101	A0	130B1100	99
Profibus - coated	MCA101		130B1200	112
DeviceNet	MCA104	A4	130B1102	75
DeviceNet - coated	MCA104		130B1202	87
LonWorks	MCA108	AG	130B1106	99
LonWorks - coated	MCA108		130B1206	112
BACNet	MCA109	AJ	130B1144	80
BACNet - coated	MCA109		130B1244	92
Input/Output options				
General purpose I/O	MCB101	BK	130B1125	64
General purpose I/O - coated	MCB101		130B1212	76
Relay option	MCB105	BP	130B1110	70
Relay option - coated	MCB105		130B1210	82
24V option	MCB107	D0	130B1108	42
24V option coated	MCB107		130B1208	54
Analog I/O	MCB109	B0	130B1143	80
Analog I/O - coated	MCB109		130B1243	92

Danfoss VLT Drives

0870 241 7100

Configure your drive with our Drive Configurator

www.driveconfigurator.com

VLT® HVAC Drive

General Options for the VLT HVAC Drive

Description	Articlenr.	Price GBP
Display options		
Numeric display LCP101	130B1124	30
Graphic display LCP102	130B1107	68
LCP-kit for remote mounting of display (incl. 3 mtr cable, excl. display)	130B1117	34
LCP-kit for remote mounting of display (incl. graphic display LCP102 + 3 mtr cable)	130B1114	101
LCP-kit for remote mounting of display (incl. numeric display LCP101 + 3 mtr cable)	130B1113	64
LCP-cable (length 3 meters incl. connectors)	175Z0929	14
Backplates		
Backplate for A5 IP55/Nema 12	130B1098	10
Backplate for B1 IP21/IP55	130B3383	10
Backplate for B2 IP21/IP55	130B3397	13
Backplate for C1 IP21/IP55	130B3910	13
Backplate C2 IP21/IP55	130B3911	17
Backplates Stainless Steel		
Backplate for A5 IP66/Nema 4x	130B3242	33
Backplate for B1 IP66/Nema 4x	130B3434	35
Backplate for B2 IP66/Nema 4x	130B3465	37
Backplate for C1 IP66/Nema 4x	130B3468	54
Backplate for C2 IP66/Nema 4x	130B3491	76

Danfoss VLT Drives

0870 241 7100

Configure your drive with our Drive Configurator

www.driveconfigurator.com